

SECTION 5 PARTS LIST

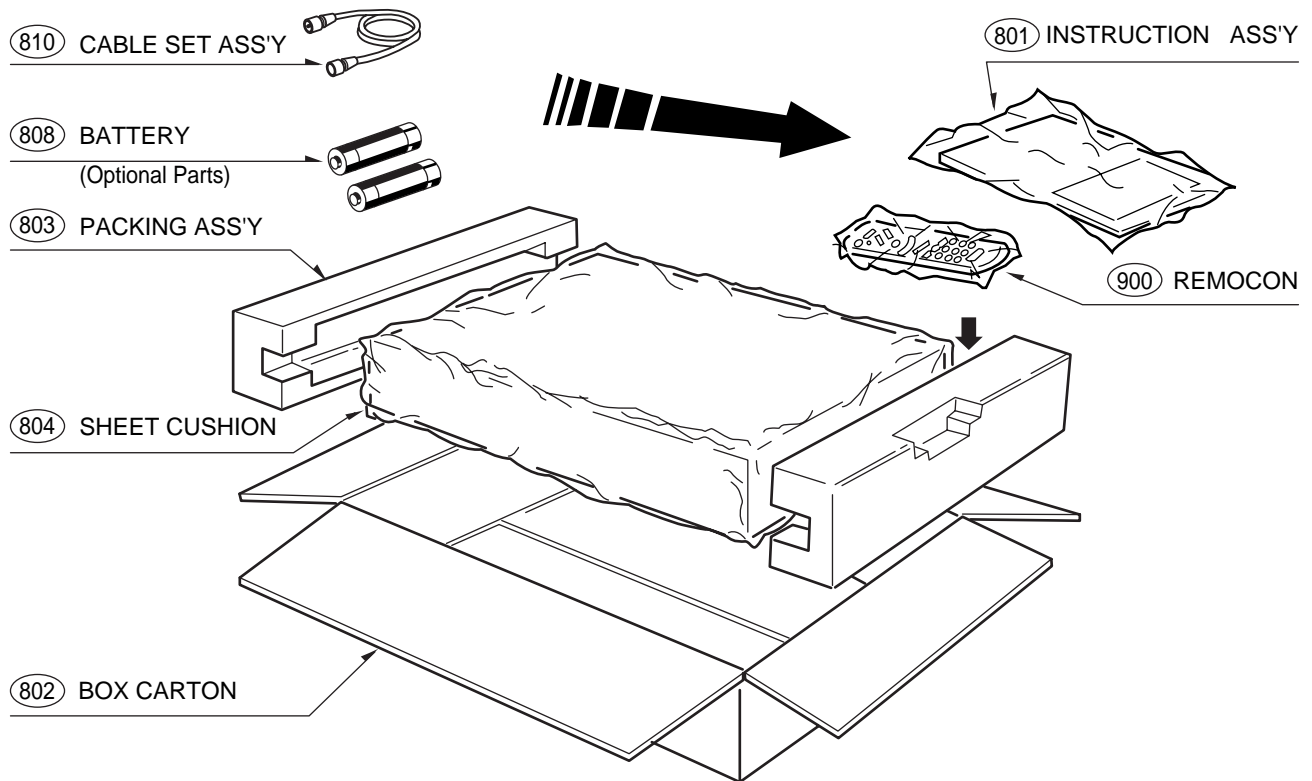
SAFETY PRECAUTION

Parts identified by the  symbol are critical for safety. Replace only with specified part numbers.

5.1 PACKING AND ACCESSORY ASSEMBLY <M1>

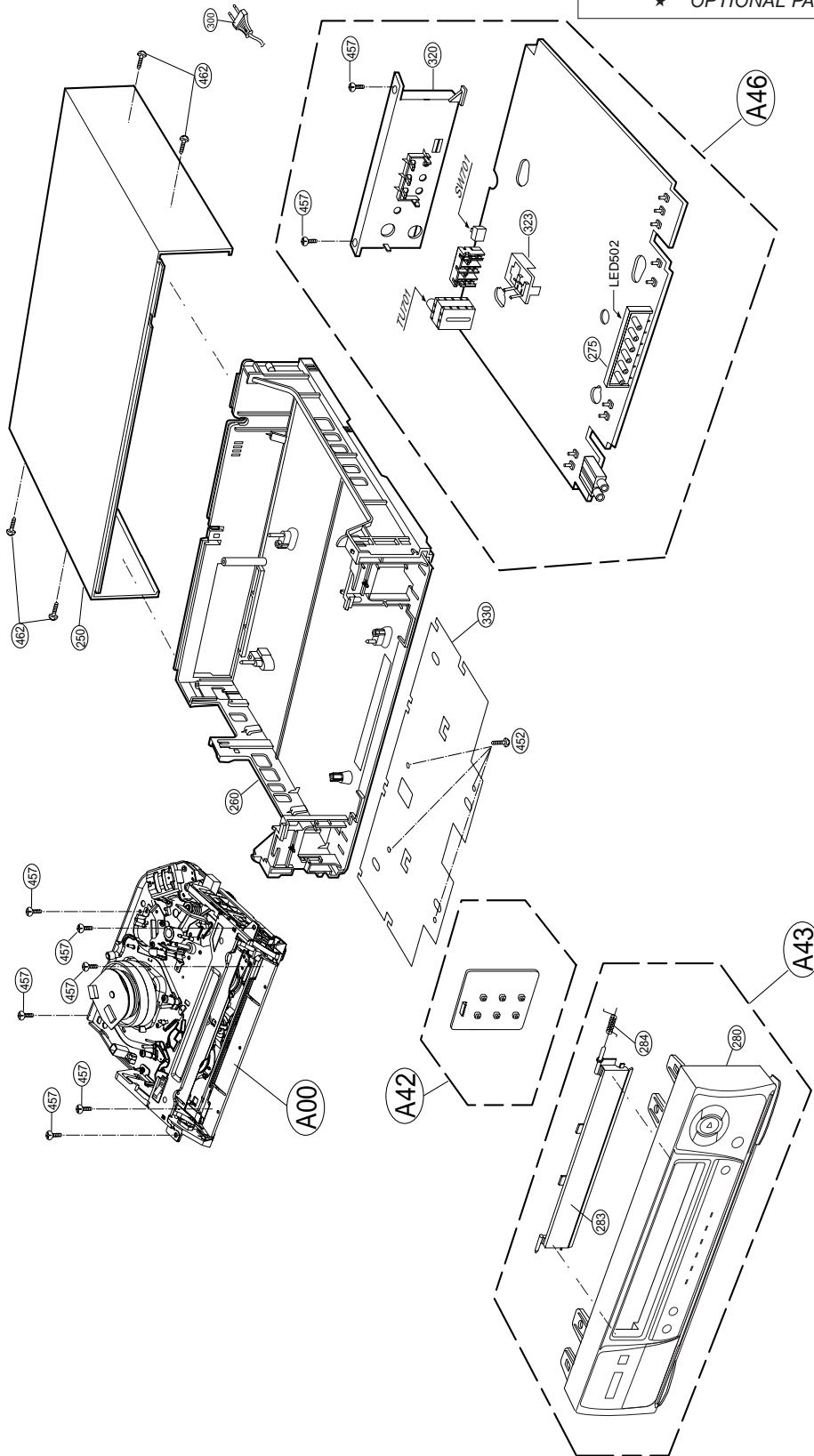
The instruction manual to be provided with this product will differ according to the destination.

NOTE : Refer to "Section 5.8 PARTS LIST"
in order to look for the part number of each part.



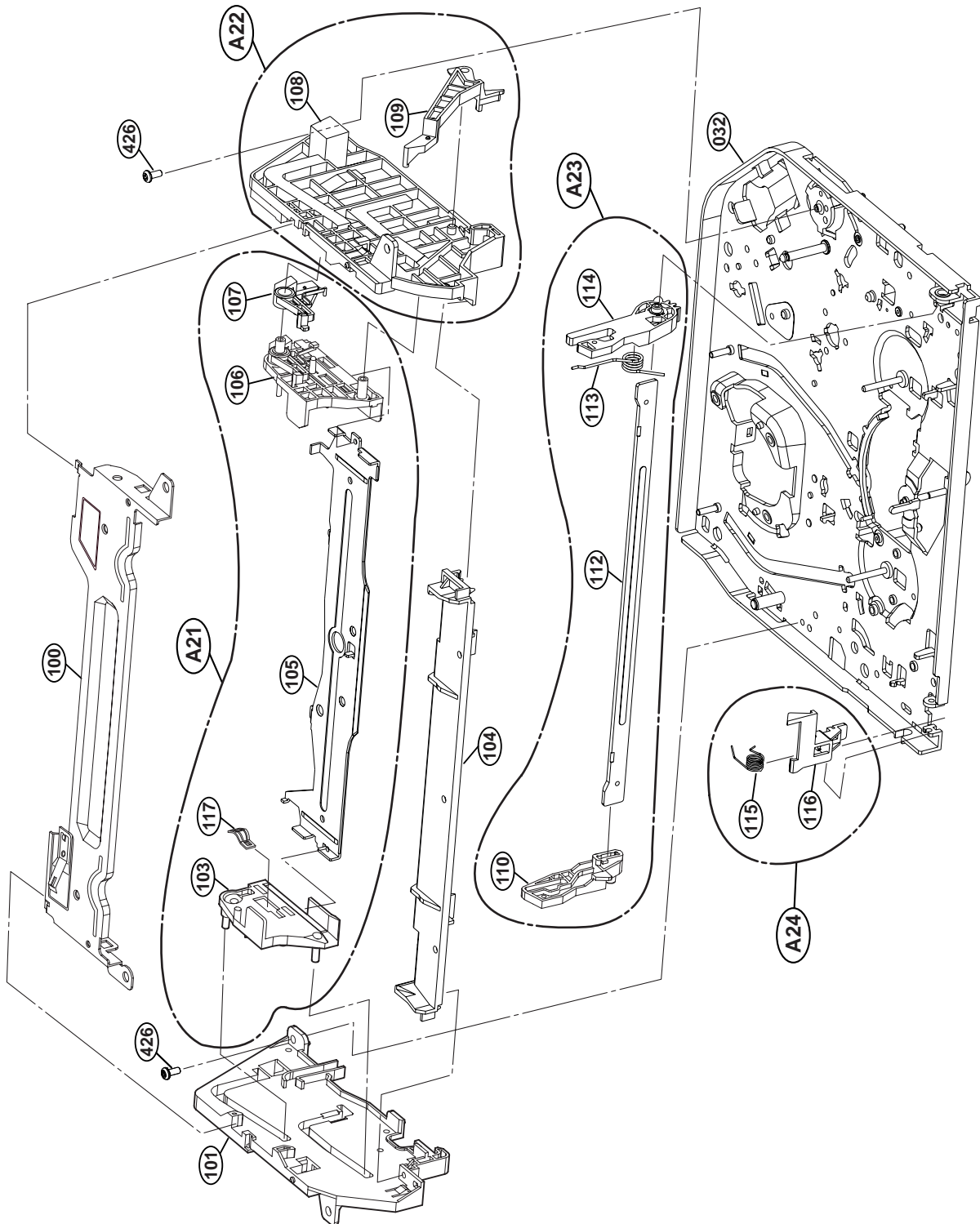
5.2 CABINET AND MAIN FRAME ASSEMBLY <M2>

NOTE : Refer to "Section 5.7 PARTS LIST" in order to look for the part number of each part.
 ★ OPTIONAL PARTS



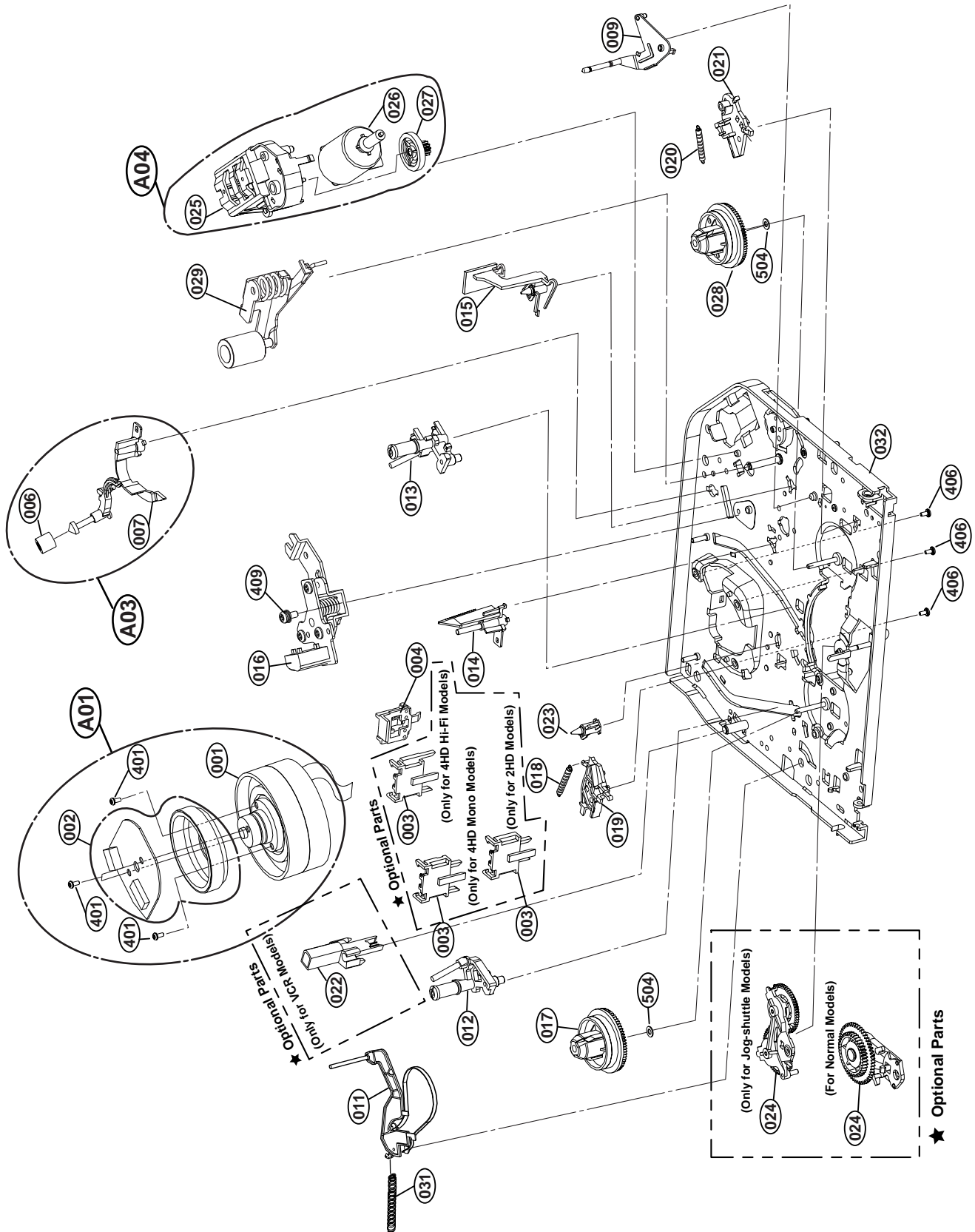
5.3 FRONT LOADING MECHANISM ASSEMBLY <M3>

NOTE : Refer to "Section 5.6 PARTS LIST" in order to look for the part number of each part.
★ OPTIONAL PARTS



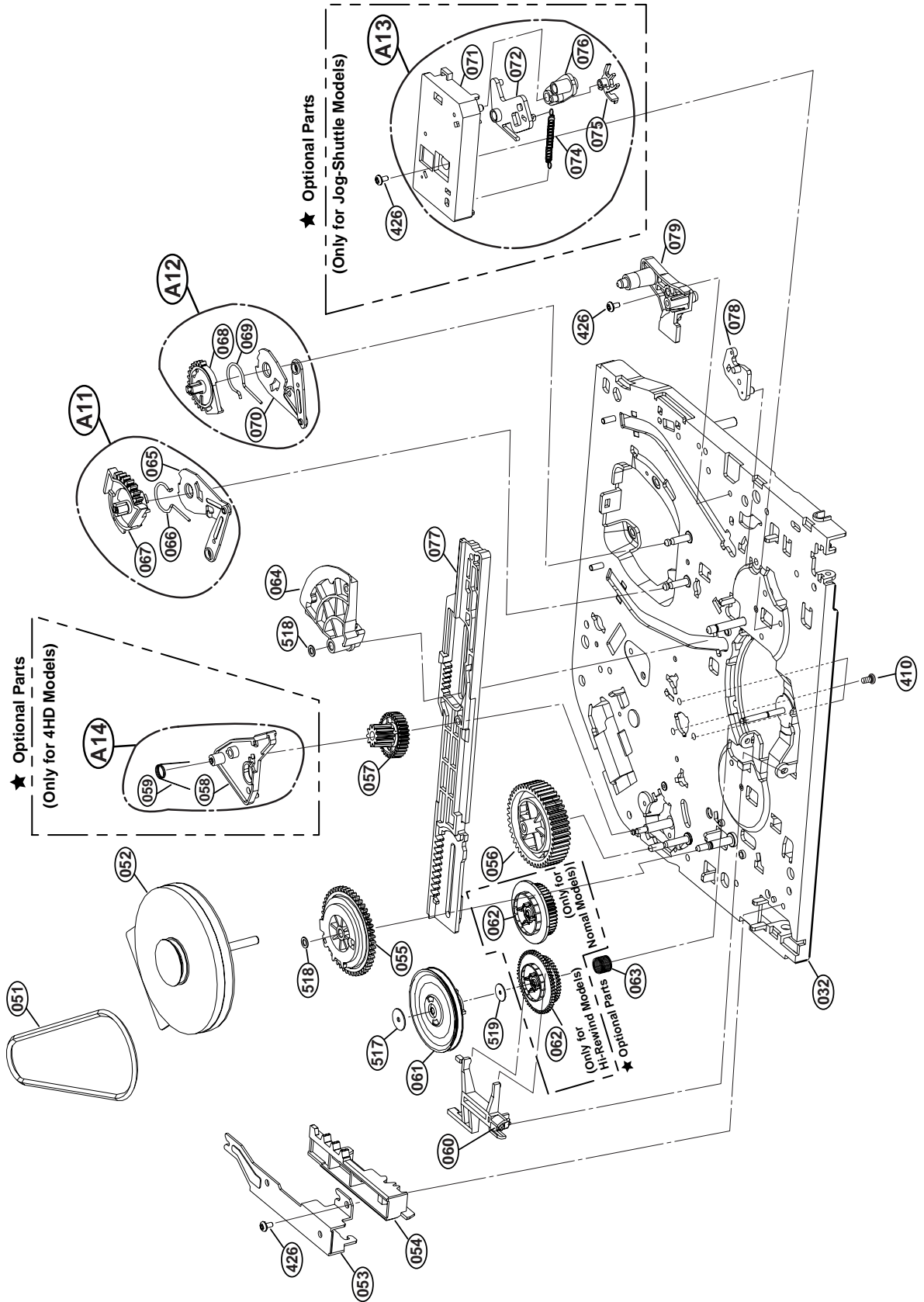
5.4 MOVING MECHANISM-1 <M3>

NOTE : Refer to "Section 5.6 PARTS LIST" in order to look for the part number of each part.
 ★ OPTIONAL PARTS



5.5 MOVING MECHANISM-2 <M3>

NOTE : Refer to "Section 5.6 PARTS LIST" in order to look for the part number of each part.
 ★ OPTIONAL PARTS



5.6 MECHANISM ASSEMBLY <M3>

S	REF No.	PART No.	DESCRIPTION	SPECIFICATION
ASSEMBLY SECTION				
	A00	-	"DECK ASSY,VIDEO"	"D33K 4HF, PAL"
	A01	PZ6723R-0103D	DRUM ASSY	D33-6CH PAL (5P6)
	A03	PZ4261R-0015A	ARM ASSY	CLEANER
	A04	PZ4811R-0019A	BRACKET ASSY	L/D MOTOR
	A11	PZ4470R-0028A	GEAR	ASSY P3
	A12	PZ4470R-0026A	GEAR	ASSY P2
	A14	PZ4421R-0005C	BRAKE ASSY	CAPSTAN
	A21	PZ4931R-0031A	HOLDER ASSY	CST
	A22	PZ4811R-0018A	BRACKET ASSY	DOOR
	A23	PZ4261R-0016A	ARM ASSY	F/L
	A24	PZ4510R-0019A	LEVER	ASSY SWITCH
PARTS SECTION				
	001	PZ4970R-0072A	SPRING	P8/BATTERY (+)
	001	PZ6723R-0106D	DRUM ASSY	SUB D33-6CH PAL (5P6)
	001	PZ6850R-HG22Z	"CABLE,FLAT"	P=1.25 FFC UL2896(0.05X0.8) 7
	002	PZ4680RB0004B	MOTOR(MECH)	DRUM F2OEL-71G SANKYO D33
	003	PZ4930R-0108A	HOLDER	FPC(6CH)
	004	PZ5006R-0020A	CAP	FPC
	006	PZ4580R-0004A	ROLLER	CLEANER
	007	-	ARM	CLEANER
	009	PZ4261R-0017A	ARM ASSY	T/UP(D-33K)
	011	PZ4261R-0018A	ARM ASSY	TENSION (D-33K)
	012	PZ3041R-0003A	BASE ASSY	P2
	013	PZ3041R-0004A	BASE ASSY	P3
	014	PZ3041R-0007A	BASE ASSY	P4
	015	PZ5870R-0003A	OPENER	LID(D-33K)
	016	PZ3041R-0005F	BASE ASSY	A/C HEAD(LGEC)
	017	PZ4408R-0001B	REEL	S
	018	PZ4970R-0054A	SPRING	SB
	019	PZ4421R-0003A	BRAKE ASSY	S
	020	PZ4970R-0053A	SPRING	TB
	021	PZ4421R-0004A	BRAKE ASSY	T
	022	PZ523-833B	HEAD	FE D33 . LG C&D/ST
	023	PZ4980R-0010A	SUPPORTER	CST
	024	PZ4261R-0013A	ARM ASSY	IDLER
	025	-	BRACKET	L/D MOTOR
	026	PZ4681R-0008A	MOTOR ASSY	L/D
	027	PZ4470R-0025A	GEAR	WHEEL
	028	PZ4408R-0002B	REEL	T
	029	PZ4261R-0011A	ARM ASSY	PINCH (MOLD BEARING)
	031	PZ4970R-0069A	SPRING	TENSION (D-33K)
	032	-	CHASSIS ASSY	D33 (D-33K)
	051	PZ4400R-0005A	BELT	CAPSTAN
	052	PZ4680RA0003A	MOTOR(MECH)	CAPSTAN GVC-033A LGEC D33
	053	PZ4974R-0018A	GUIDE	RACK F/L
	054	PZ4470R-0037A	GEAR	RACK F/L
	055	PZ4470R-0033A	GEAR	DRIVE
	056	PZ4470R-0032B	GEAR	CAM
	057	PZ4470R-0036B	GEAR	CONNECT
	058	PZ4420R-0005A	BRAKE	CAPSTAN
	059	PZ4970R-0059A	SPRING	CAPSTAN
	060	PZ4510R-0025B	LEVER	F/R(D33K)
	061	PZ4265R-0003A	CLUTCH ASSY	D33K
	062	PZ4470R-0058A	GEAR	UP / D33K
	063	PZ4970R-0051A	SPRING	UP/D
	064	PZ4470R-0034A	GEAR	SECTOR
	065	-	LEVER	P3
	066	-	SPRING	L/D
	067	-	GEAR	P3
	068	-	GEAR	P2
	069	-	SPRING	L/D
	070	-	LEVER	P2
	077	PZ3300R-0157A	PLATE	SLIDER
	078	PZ4510R-0022A	LEVER	TENSION
	079	PZ3040R-0021A	BASE	TENSION(D-33K)
	100	PZ3301R-0032A	PLATE ASSY	TOP
	101	PZ4810R-0068A	BRACKET	SIDE(L)
	103	-	HOLDER	SIDE(L)
	104	PZ4974R-0019A	GUIDE	CST
	105	PZ4930R-0159A	HOLDER	CST

S	REF No.	PART No.	DESCRIPTION	SPECIFICATION
	106	-	HOLDER	SIDE(R)
	107	-	LEVER	STOPPER(R)
	108	-	BRACKET	SIDE(R)
	109	-	OPENER	DOOR
	110	-	ARM	F/L (L)
	112	-	BODY	F/L
	113	-	SPRING	F/L(R)
	114	-	ARM	F/L(R)
	115	PZ4970R-0050A	SPRING	SWITCH
	116	PZ4510R-0020A	LEVER	SWITCH
	117	-	PLATE	SPRING
SCREW				
	401	PZ1MPC0261418	"SCREW MACHINE,PAN HEAD"	D 2.6 L 4.0 MSWR3/FZY
	406	PZ1MEC0302018	PAN HEAD MACHINE SCREW S/W +	D 3.0 L 6.0 MSWR3/FZY
	409	PZ1MGC0302418	PAN HEAD MACN SCREW S/P WASH +	D 3.0 L 8.0 MSWR3/FZY
	410	PZ1APF0262218	"SCREW TAP TITE(B),PAN HEAD"	#NAME?
	426	PZ1MPC0302018	PAN HEAD MACHINE SCREW +	D 3.0 L 6.0 MSWR3/FZY
NUT, WASHER				
	504	PZ354-001B	WASHER	PS D3.1XD6X0.5T
	517	PZ1WZZR-0004B	WASHER	STOPPER
	518	PZ1WZZR-0004A	WASHER	STOPPER
	519	PZ1WZZR-0004D	WASHER	STOPPER

5.7 CABINET AND MAIN FRAME ASSEMBLY <M2>

S	REF No.	PART No.	DESCRIPTION	SPECIFICATION
ASSEMBLY SECTION				
	A43	PZ3721R-F134D	PANEL ASSY	FRONT(BHJ729KW 4TJ1)
	A46	PZ3501R-1969A	BOARD ASSY	"BH769KW""S EVENT"
PARTS SECTION				
	250	PZ3110R-0128L	CASE	"TOP(J595G SILVER), SIDE"
	260	-	FRAME	"MAIN (VII-PJT, 60HR)"
	275	PZ4930R-0102A	HOLDER	LED
	280	-	PANEL	FRONT(BHJ729KW 4TJ1))
	283	PZ3580R-V005S	DOOR	CST (0031 BHJ729KW 4TJ1)
	284	PZ442-681A	SPRING	DOOR
	△ 300	PZ6410RCHS01A	POWER CORD	EP-11 LTFE-2F 2/0.75
	320	PZ3720R-D022B	PANEL	DISTRIBUTOR (VCP-RCA-HIFI)
	323	PZ3111R-0089B	CASE ASSY	PRE-AMP (PBSB-SH)
	330	PZ3550R-0210A	COVER	BOTTOM(LARGE)
SCREW				
	452	PZ353-051A	SCREW	SPECIAL
	457	PZ353-051E	SCREW	SPECIAL (3X12)
	462	PZ353-136A	SCREW	SPECIAL(FBK) (353S353A)

5.8 PACKING AND ACCESSORY ASSEMBLY <M1>

S	REF No.	PART No.	DESCRIPTION	SPECIFICATION
	801	PZ3835RP0051L	INSTRUCTION ASSY	ABHJ729KW 4TJ1
	802	PZ3890R-H715A	BOX	ABHJ729KW 4TJ1 SW3-A 0.886 2 F
	803	PZ3920R-E002A	PACKING	JVC KARAOKE 0.02 80 EPS 10 105
	804	PZ3858R-0006A	SHEET	ROLL(W630XL300MX0.5T)
	810	PZ861-505B	CABLE SET ASSY	"RF-CABLE ASSY,PAL"
	850	PEAC0395-04-01	"MICRO PHONE, DYNAMIC"	JVC PARK FORTU
	900	PZ6711R1P020J	REMOTE CONTROLLER ASSY	P8(BLJ122KW EVNT)

5.9 ELECTRICAL PARTS LIST

Main P.C. Board <03>

S	REF No.	PART No.	DESCRIPTION	SPECIFICATION
		CAPACITOR		
	BC101	PZ636-004C	COIL	"BEAD CORE BFS3550R2FD8,R T/P"
	BD101	PZ0DD160000DA	DIODE	S1WBA60(1A 600V) SHIDENKEN
	BD302	PZ636-004C	COIL	"BEAD CORE BFS3550R2FD8,R T/P"
△	C101	PZ624-088K	CAPACITOR	ECQU2A104ML 0.1UF/275VAC 7.5 T
△	C102	PZ624-088K	CAPACITOR	ECQU2A104ML 0.1UF/275VAC 7.5 T
	C103	PZ0CE686CV6A0	"CAPACITOR,AL.ELECTROLYTIC"	"68UF SHL,SD 450V M VNSN BULK"
△	C105	PZ0CQ1031Y519	"CAPACITOR,POLYESTER"	0.01UF D 630V K PE NI TP
	C106	PZ624-087A	CAPACITOR	HIGH-VOL 150P/1KV SMPS
	C109	PZ624-085D	CAPACITOR	CE 47UF/50V KME (SMPS)
	C111	PZ0CN223AK948	"CAPACITOR,TUBULAR(HIGH DIELEC)"	0.022UF 50V Z F TA26 S
△	C112	PZ0CG3320U630	"CAPACITOR,SEMI CERAMIC"	"3300 PF 400V M E R(NK,AD,SD)"
△	C113	PZ0CG3310U510	"CAPACITOR,SEMI CERAMIC"	330PF 400V K B R
	C114	PZ0CQ4732K409	"CAPACITOR,POLYESTER(MYLAR)"	0.047UF S 50V J PE TP
	C116	PZ624-083E	CAPACITOR	1000/10V KME (SMPS) CE
	C117	PZ0CE3376D638	"CAPACITOR,ELECTROLYTIC"	330UF SMS 10V M FM5 TP5
	C120	PZ0CE477BH638	"CAPACITOR,ELECTROLYTIC"	470UF KME 25V M FM5 TP5
	C121	PZ624-082G	CAPACITOR	CE 470UF/25V SHL(10*12.5)T/P
	C128	PZ0CN223AK948	"CAPACITOR,TUBULAR(HIGH DIELEC)"	0.022UF 50V Z F TA26 S
	C151	QET41CM-106	"CAPACITOR,ELECTROLYTIC"	10M SRA 16V M FM5 TP(5)
	C152	QET41CM-106	"CAPACITOR,ELECTROLYTIC"	10M SRA 16V M FM5 TP(5)
	C153	QET41CM-106	"CAPACITOR,ELECTROLYTIC"	10M SRA 16V M FM5 TP(5)
	C154	QET41CM-106	"CAPACITOR,ELECTROLYTIC"	10M SRA 16V M FM5 TP(5)
	C155	QET41CM-106	"CAPACITOR,ELECTROLYTIC"	10M SRA 16V M FM5 TP(5)
	C301	PZ0CN1040K948	"CAPACITOR,TUBULAR(HIGH DIELEC)"	0.1UF 50V Z F TA26 D
	C303	QET41HM-105	"CAPACITOR,ELECTROLYTIC"	1.0M SRA/SS50V M FM5 TP(5)
	C304	QET40JM-227	"CAPACITOR,ELECTROLYTIC"	220M SRA 6.3V M FM5 TP(5)
	C305	PZ0CN223AK948	"CAPACITOR,TUBULAR(HIGH DIELEC)"	0.022UF 50V Z F TA26 S
	C306	PZ0CN1030F678	CAPACITOR TUBULA(HIGH DIELE)	0.01M 16V M Y TA26
	C307	PZ0CX2700K408	CAPACITOR TUBULA(T.C)	27P 50V J SL TA26
	C309	PZ0CN3310K518	CAPACITOR TUBULA(HIGH DIELE)	330P 50V K B TA26
	C310	QET41HM-335	"CAPACITOR,ELECTROLYTIC"	3.3M SRA 50V M FM5 TP(5)
	C311	PZ0CN1810K518	CAPACITOR TUBULA(HIGH DIELE)	180P 50V K B TA26
	C312	PZ0CX2700K408	CAPACITOR TUBULA(T.C)	27P 50V J SL TA26
	C313	PZ0CN1010K418	"CAPACITOR,TUBULAR(HIGH DIELEC)"	100PF 50V J B TA26
	C314	PZ0CN1010K418	"CAPACITOR,TUBULAR(HIGH DIELEC)"	100PF 50V J B TA26
	C315	QET41CM-106	"CAPACITOR,ELECTROLYTIC"	10M SRA 16V M FM5 TP(5)
	C316	QET41CM-106	"CAPACITOR,ELECTROLYTIC"	10M SRA 16V M FM5 TP(5)
	C317	PZ0CN1030F678	CAPACITOR TUBULA(HIGH DIELE)	0.01M 16V M Y TA26
	C318	QET41HM-105	"CAPACITOR,ELECTROLYTIC"	1.0M SRA/SS50V M FM5 TP(5)
	C319	PZ0CN1040K948	"CAPACITOR,TUBULAR(HIGH DIELEC)"	0.1UF 50V Z F TA26 D
	C320	PZ0CN1040K948	"CAPACITOR,TUBULAR(HIGH DIELEC)"	0.1UF 50V Z F TA26 D
	C322	QET40JM-476	"CAPACITOR,ELECTROLYTIC"	47M SRA 6.3V M FM5 TP(5)
	C323	QET40JM-476	"CAPACITOR,ELECTROLYTIC"	47M SRA 6.3V M FM5 TP(5)
	C325	QET41HM-105	"CAPACITOR,ELECTROLYTIC"	1.0M SRA/SS50V M FM5 TP(5)
	C326	QET41CM-106	"CAPACITOR,ELECTROLYTIC"	10M SRA 16V M FM5 TP(5)
	C327	QET41CM-106	"CAPACITOR,ELECTROLYTIC"	10M SRA 16V M FM5 TP(5)
	C328	PZ0CN4730K948	"CAPACITOR,TUBULAR(HIGH DIELEC)"	0.047M 50V Z F TA26
	C329	PZ0CN1030F678	CAPACITOR TUBULA(HIGH DIELE)	0.01M 16V M Y TA26
	C330	PZ0CN1030F678	CAPACITOR TUBULA(HIGH DIELE)	0.01M 16V M Y TA26
	C332	PZ0CN1030F678	CAPACITOR TUBULA(HIGH DIELE)	0.01M 16V M Y TA26
	C333	QET40JM-476	"CAPACITOR,ELECTROLYTIC"	47M SRA 6.3V M FM5 TP(5)
	C334	PZ0CN223AK948	"CAPACITOR,TUBULAR(HIGH DIELEC)"	0.022UF 50V Z F TA26 S
	C335	PZ0CN223AK948	"CAPACITOR,TUBULAR(HIGH DIELEC)"	0.022UF 50V Z F TA26 S
	C336	PZ0CN1030F678	CAPACITOR TUBULA(HIGH DIELE)	0.01M 16V M Y TA26
	C337	QET41HM-475	"CAPACITOR,ELECTROLYTIC"	4.7M SRA 50V M FM5 TP(5)
	C338	PZ0CN223AK948	"CAPACITOR,TUBULAR(HIGH DIELEC)"	0.022UF 50V Z F TA26 S
	C339	QET41HM-475	"CAPACITOR,ELECTROLYTIC"	4.7M SRA 50V M FM5 TP(5)
	C340	PZ0CN4730K948	"CAPACITOR,TUBULAR(HIGH DIELEC)"	0.047M 50V Z F TA26
	C341	PZ0CN223AK948	"CAPACITOR,TUBULAR(HIGH DIELEC)"	0.022UF 50V Z F TA26 S
	C342	PZ0CN1030F678	CAPACITOR TUBULA(HIGH DIELE)	0.01M 16V M Y TA26
	C343	PZ0CN4730K948	"CAPACITOR,TUBULAR(HIGH DIELEC)"	0.047M 50V Z F TA26
	C344	PZ0CN223AK948	"CAPACITOR,TUBULAR(HIGH DIELEC)"	0.022UF 50V Z F TA26 S
	C346	QET40JM-227	"CAPACITOR,ELECTROLYTIC"	220M SRA 6.3V M FM5 TP(5)
	C348	QET41HM-105	"CAPACITOR,ELECTROLYTIC"	1.0M SRA/SS50V M FM5 TP(5)
	C350	PZ0CN1040K948	"CAPACITOR,TUBULAR(HIGH DIELEC)"	0.1UF 50V Z F TA26 D
	C354	QET40JM-227	"CAPACITOR,ELECTROLYTIC"	220M SRA 6.3V M FM5 TP(5)
	C358	QET41HM-105	"CAPACITOR,ELECTROLYTIC"	1.0M SRA/SS50V M FM5 TP(5)
	C367	PZ0CN1040K948	"CAPACITOR,TUBULAR(HIGH DIELEC)"	0.1UF 50V Z F TA26 D
	C372	PZ0CN1020K518	CAPACITOR TUBULA(HIGH DIELE)	1000P 50V K B TA26
	C373	PZ0CN1040K948	"CAPACITOR,TUBULAR(HIGH DIELEC)"	0.1UF 50V Z F TA26 D

S	REF No.	PART No.	DESCRIPTION	SPECIFICATION
	C374	QET40JM-476	"CAPACITOR,ELECTROLYTIC"	47M SRA 6.3V M FM5 TP(5)
	C375	PZOCN223AK948	"CAPACITOR,TUBULAR(HIGH DIELEC)"	0.022UF 50V Z F TA26 S
	C376	QET41CM-106	"CAPACITOR,ELECTROLYTIC"	10M SRA 16V M FM5 TP(5)
	C377	QET41CM-336	"CAPACITOR,ELECTROLYTIC"	33M SRA 16V M FM5 TP(5)
	C378	PZOCN1040K948	"CAPACITOR,TUBULAR(HIGH DIELEC)"	0.1UF 50V Z F TA26 D
	C379	QET41HM-335	"CAPACITOR,ELECTROLYTIC"	3.3M SRA 50V M FM5 TP(5)
	C380	PZOCK1040K945	"CAPACITOR,CERAMIC (HIGH DIELEC"	0.1M 50V Z F TS
	C383	PZOCN1040K948	"CAPACITOR,TUBULAR(HIGH DIELEC)"	0.1UF 50V Z F TA26 D
	C384	PZOCN1520F668	"CAPACITOR,TUBULAR(HIGH DIELEC)"	1500P 16V M X TA26
	C385	PZOCN1030F678	CAPACITOR TUBULA(HIGH DIELE)	0.01M 16V M Y TA26
	C386	QET41CM-226	"CAPACITOR,ELECTROLYTIC"	22M SRA 16V M FM5 TP(5)
	C387	PZOCN2220F668	"CAPACITOR,TUBULAR(HIGH DIELEC)"	2200P 16V M X TA26
	C388	PZOCN1020K518	CAPACITOR TUBULA(HIGH DIELE)	1000P 50V K B TA26
	C389	QET41HM-475	"CAPACITOR,ELECTROLYTIC"	4.7M SRA 50V M FM5 TP(5)
	C391	PZOCQ2232L559	"CAPACITOR,POLYESTER"	0.022UF S 63V K PP NI TP5
	C392	QET41HM-476	"CAPACITOR,ELECTROLYTIC"	47M SRA 50V M FM5 TP(5)
	C393	PZOCQ1032K409	"CAPACITOR,POLYESTER(MYLAR)"	0.01UF S 50V J PE TP
	C394	PZOCQ1532K409	"CAPACITOR,POLYESTER"	0.015UF S 50V J PE TP
	C3A1	PZOCN223AK948	"CAPACITOR,TUBULAR(HIGH DIELEC)"	0.022UF 50V Z F TA26 S
	C3B1	PZOCN3330K518	"CAPACITOR,TUBULAR(HIGH DIELEC)"	0.033UF 50V K B TA26
	C3B2	PZOCN223AK948	"CAPACITOR,TUBULAR(HIGH DIELEC)"	0.022UF 50V Z F TA26 S
	C3C1	PZOCX2700K408	CAPACITOR TUBULA(T.C)	27P 50V J SL TA26
	C3C2	PZOCN1040K948	"CAPACITOR,TUBULAR(HIGH DIELEC)"	0.1UF 50V Z F TA26 D
	C3C3	PZOCX2700K408	CAPACITOR TUBULA(T.C)	27P 50V J SL TA26
	C3C4	PZOCN1810K518	CAPACITOR TUBULA(HIGH DIELE)	180P 50V K B TA26
	C3C5	PZOCN1040K948	"CAPACITOR,TUBULAR(HIGH DIELEC)"	0.1UF 50V Z F TA26 D
	C3C6	PZOCN1040K948	"CAPACITOR,TUBULAR(HIGH DIELEC)"	0.1UF 50V Z F TA26 D
	C3C7	PZOCK1040K945	"CAPACITOR,CERAMIC (HIGH DIELEC"	0.1M 50V Z F TS
	C3C8	PZOCN223AK948	"CAPACITOR,TUBULAR(HIGH DIELEC)"	0.022UF 50V Z F TA26 S
	C3D2	PZOCN8200K518	CAPACITOR TUBULA(HIGH DIELE)	82PF 50V K B TA26
	C3D3	PZOCN4730K948	"CAPACITOR,TUBULAR(HIGH DIELEC)"	0.047M 50V Z F TA26
	C3D5	PZOCN223AK948	"CAPACITOR,TUBULAR(HIGH DIELEC)"	0.022UF 50V Z F TA26 S
	C3D6	PZOCN1050K948	"CAPACITOR,TUBULAR(HIGH DIELEC)"	1UF 50V Z F TA26 D
	C3D7	PZOCX2700K408	CAPACITOR TUBULA(T.C)	27P 50V J SL TA26
	C3H1	PZOCN1040K948	"CAPACITOR,TUBULAR(HIGH DIELEC)"	0.1UF 50V Z F TA26 D
	C3K1	QET41AM-477	"CAPACITOR,AL.ELECTROLYTIC"	"470UF SHL,SD 10V M FM5 TP 5"
	C3K2	PZOCN1030F678	CAPACITOR TUBULA(HIGH DIELE)	0.01M 16V M Y TA26
	C3K4	PZOCN1020K518	CAPACITOR TUBULA(HIGH DIELE)	1000P 50V K B TA26
	C3K5	PZOCN1020K518	CAPACITOR TUBULA(HIGH DIELE)	1000P 50V K B TA26
	C3K6	PZOCN1020K518	CAPACITOR TUBULA(HIGH DIELE)	1000P 50V K B TA26
	C3K7	PZOCN1020K518	CAPACITOR TUBULA(HIGH DIELE)	1000P 50V K B TA26
	C3M1	QET41CM-476	"CAPACITOR,ELECTROLYTIC"	47M SRA/SS 16V M FM5 TP(5)
	C3M2	QET40JM-476	"CAPACITOR,ELECTROLYTIC"	47M SRA 6.3V M FM5 TP(5)
	C3M3	PZOCN223AK948	"CAPACITOR,TUBULAR(HIGH DIELEC)"	0.022UF 50V Z F TA26 S
	C3M4	PZOCN223AK948	"CAPACITOR,TUBULAR(HIGH DIELEC)"	0.022UF 50V Z F TA26 S
	C3M5	QET40JM-476	"CAPACITOR,ELECTROLYTIC"	47M SRA 6.3V M FM5 TP(5)
	C3M6	QET41CM-476	"CAPACITOR,ELECTROLYTIC"	47M SRA/SS 16V M FM5 TP(5)
	C3S1	PZOCE4754K638	"CAPACITOR,ELECTROLYTIC"	4.7M SRA 50V M FM5 TP(5)
	C3S2	PZOCN1030F678	CAPACITOR TUBULA(HIGH DIELE)	0.01M 16V M Y TA26
	C3S3	PZOCX4700K408	CAPACITOR TUBULA(T.C)	47P 50V J SL TA26
	C3S4	QET41CM-476	"CAPACITOR,ELECTROLYTIC"	47M SRA/SS 16V M FM5 TP(5)
	C3S5	PZOCN223AK948	"CAPACITOR,TUBULAR(HIGH DIELEC)"	0.022UF 50V Z F TA26 S
	C401	QET41HM-105	"CAPACITOR,ELECTROLYTIC"	1.0M SRA/SS50V M FM5 TP(5)
	C402	QET41HM-475	"CAPACITOR,ELECTROLYTIC"	4.7M SRA 50V M FM5 TP(5)
	C403	QET41HM-225	"CAPACITOR,ELECTROLYTIC"	2.2M SRA 50V M FM5 TP(5)
	C404	QET41HM-475	"CAPACITOR,ELECTROLYTIC"	4.7M SRA 50V M FM5 TP(5)
	C405	QET41HM-105	"CAPACITOR,ELECTROLYTIC"	1.0M SRA/SS50V M FM5 TP(5)
	C406	QET41HM-105	"CAPACITOR,ELECTROLYTIC"	1.0M SRA/SS50V M FM5 TP(5)
	C407	QET41HM-105	"CAPACITOR,ELECTROLYTIC"	1.0M SRA/SS50V M FM5 TP(5)
	C408	PZOCN1040K948	"CAPACITOR,TUBULAR(HIGH DIELEC)"	0.1UF 50V Z F TA26 D
	C409	PZOCQ4722K409	"CAPACITOR,POLYESTER"	0.0047U S 50V J TS TP
	C410	PZOCN1020K518	CAPACITOR TUBULA(HIGH DIELE)	1000P 50V K B TA26
	C411	PZOCQ6832K409	"CAPACITOR,POLYESTER(MYLAR)"	0.0680UF S 50V J PE TP
	C412	PZOCN1040K948	"CAPACITOR,TUBULAR(HIGH DIELEC)"	0.1UF 50V Z F TA26 D
	C413	QET41CM-476	"CAPACITOR,ELECTROLYTIC"	47M SRA/SS 16V M FM5 TP(5)
	C414	PZOCN1040K948	"CAPACITOR,TUBULAR(HIGH DIELEC)"	0.1UF 50V Z F TA26 D
	C415	PZOCN223AK948	"CAPACITOR,TUBULAR(HIGH DIELEC)"	0.022UF 50V Z F TA26 S
	C416	QET40JM-227	"CAPACITOR,ELECTROLYTIC"	220M SRA 6.3V M FM5 TP(5)
	C417	PZOCN1040K948	"CAPACITOR,TUBULAR(HIGH DIELEC)"	0.1UF 50V Z F TA26 D
	C418	PZOCQ6832K409	"CAPACITOR,POLYESTER(MYLAR)"	0.0680UF S 50V J PE TP
	C419	PZOCN1020K518	CAPACITOR TUBULA(HIGH DIELE)	1000P 50V K B TA26

S	REF No.	PART No.	DESCRIPTION	SPECIFICATION
	C420	PZ0CQ4722K409	"CAPACITOR,POLYESTER"	0.0047U S 50V J TS TP
	C421	QET41HM-105	"CAPACITOR,ELECTROLYTIC"	1.0M SRA/SS50V M FM5 TP(5)
	C422	QET41HM-105	"CAPACITOR,ELECTROLYTIC"	1.0M SRA/SS50V M FM5 TP(5)
	C423	QET41HM-105	"CAPACITOR,ELECTROLYTIC"	1.0M SRA/SS50V M FM5 TP(5)
	C424	QET41HM-105	"CAPACITOR,ELECTROLYTIC"	1.0M SRA/SS50V M FM5 TP(5)
	C425	QET41HM-225	"CAPACITOR,ELECTROLYTIC"	2.2M SRA 50V M FM5 TP(5)
	C426	QET41HM-225	"CAPACITOR,ELECTROLYTIC"	2.2M SRA 50V M FM5 TP(5)
	C427	PZ0CN1030F678	CAPACITOR TUBULA(HIGH DIELE)	0.01M 16V M Y TA26
	C428	QET41HM-224	"CAPACITOR,ELECTROLYTIC"	0.22M SRA 50V M FM5 TP(5)
	C429	PZ0CN1040K948	"CAPACITOR,TUBULAR(HIGH DIELEC)"	0.1UF 50V Z F TA26 D
	C430	PZ0CN1040K948	"CAPACITOR,TUBULAR(HIGH DIELEC)"	0.1UF 50V Z F TA26 D
	C431	PZ0CN1040K948	"CAPACITOR,TUBULAR(HIGH DIELEC)"	0.1UF 50V Z F TA26 D
	C432	PZ0CN1030F678	CAPACITOR TUBULA(HIGH DIELE)	0.01M 16V M Y TA26
	C433	QET41HM-105	"CAPACITOR,ELECTROLYTIC"	1.0M SRA/SS50V M FM5 TP(5)
	C434	QET41HM-474	"CAPACITOR,ELECTROLYTIC"	0.47M SRA 50V M FM5 TP(5)
	C435	PZ0CN223AK948	"CAPACITOR,TUBULAR(HIGH DIELEC)"	0.022UF 50V Z F TA26 S
	C436	QET41CM-476	"CAPACITOR,ELECTROLYTIC"	47M SRA/SS 16V M FM5 TP(5)
	C437	QET41CM-476	"CAPACITOR,ELECTROLYTIC"	47M SRA/SS 16V M FM5 TP(5)
	C438	PZ0CN223AK948	"CAPACITOR,TUBULAR(HIGH DIELEC)"	0.022UF 50V Z F TA26 S
	C439	QET41CM-476	"CAPACITOR,ELECTROLYTIC"	47M SRA/SS 16V M FM5 TP(5)
	C440	QET41AM-106	"CAPACITOR,ELECTROLYTIC"	10M SRA 16V M FM5 TP(5)
	C441	QET41AM-106	"CAPACITOR,ELECTROLYTIC"	10M SRA 16V M FM5 TP(5)
	C442	QET41CM-476	"CAPACITOR,ELECTROLYTIC"	47M SRA/SS 16V M FM5 TP(5)
	C443	QET41CM-476	"CAPACITOR,ELECTROLYTIC"	47M SRA/SS 16V M FM5 TP(5)
	C444	PZ0CN1030F678	CAPACITOR TUBULA(HIGH DIELE)	0.01M 16V M Y TA26
	C445	QET41HM-225	"CAPACITOR,ELECTROLYTIC"	2.2M SRA 50V M FM5 TP(5)
	C446	QET41CM-106	"CAPACITOR,ELECTROLYTIC"	10M SRA 16V M FM5 TP(5)
	C447	QET41CM-106	"CAPACITOR,ELECTROLYTIC"	10M SRA 16V M FM5 TP(5)
	C448	QET41CM-106	"CAPACITOR,ELECTROLYTIC"	10M SRA 16V M FM5 TP(5)
	C449	QET41CM-106	"CAPACITOR,ELECTROLYTIC"	10M SRA 16V M FM5 TP(5)
	C501	PZ0CN1040K948	"CAPACITOR,TUBULAR(HIGH DIELEC)"	0.1UF 50V Z F TA26 D
	C502	QET40JM-476	"CAPACITOR,ELECTROLYTIC"	47M SRA 6.3V M FM5 TP(5)
	C504	QET40JM-227	"CAPACITOR,ELECTROLYTIC"	220M SRA 6.3V M FM5 TP(5)
	C505	QET40JM-476	"CAPACITOR,ELECTROLYTIC"	47M SRA 6.3V M FM5 TP(5)
	C507	PZ0CN1030F678	CAPACITOR TUBULA(HIGH DIELE)	0.01M 16V M Y TA26
	C509	PZ0CN223AK948	"CAPACITOR,TUBULAR(HIGH DIELEC)"	0.022UF 50V Z F TA26 S
	C510	QET40JM-476	"CAPACITOR,ELECTROLYTIC"	47M SRA 6.3V M FM5 TP(5)
	C512	PZ0CN1810K518	CAPACITOR TUBULA(HIGH DIELE)	180P 50V K B TA26
	C513	PZ0CN1040K948	"CAPACITOR,TUBULAR(HIGH DIELEC)"	0.1UF 50V Z F TA26 D
	C514	PZ0CN1040K948	"CAPACITOR,TUBULAR(HIGH DIELEC)"	0.1UF 50V Z F TA26 D
	C518	PZ0CC3300K415	CAPACITOR CERAMIC(TEMP COMP)	33P 50V J NP0 TP
	C519	PZ0CC3300K415	CAPACITOR CERAMIC(TEMP COMP)	33P 50V J NP0 TP
	C524	QET41CM-336	"CAPACITOR,ELECTROLYTIC"	33M SRA 16V M FM5 TP(5)
	C525	QET40JM-476	"CAPACITOR,ELECTROLYTIC"	47M SRA 6.3V M FM5 TP(5)
	C526	QET41EM-476	"CAPACITOR,ELECTROLYTIC"	47M SRA 25V M FM5 TP(5)
	C527	PZ0CN1810K518	CAPACITOR TUBULA(HIGH DIELE)	180P 50V K B TA26
	C528	PZ0CN1030F678	CAPACITOR TUBULA(HIGH DIELE)	0.01M 16V M Y TA26
	C529	PZ0CN1040K948	"CAPACITOR,TUBULAR(HIGH DIELEC)"	0.1UF 50V Z F TA26 D
	C530	QET41CM-106	"CAPACITOR,ELECTROLYTIC"	10M SRA 16V M FM5 TP(5)
	C533	PZ0CN1020K518	CAPACITOR TUBULA(HIGH DIELE)	1000P 50V K B TA26
	C534	QET41HM-105	"CAPACITOR,ELECTROLYTIC"	1.0M SRA/SS50V M FM5 TP(5)
	C535	QET41HM-105	"CAPACITOR,ELECTROLYTIC"	1.0M SRA/SS50V M FM5 TP(5)
	C540	PZ0CQ3332K409	"CAPACITOR,POLYESTER(MYLAR)"	0.033UF S 50V J PE TP
	C541	QET41HM-475	"CAPACITOR,ELECTROLYTIC"	4.7M SRA 50V M FM5 TP(5)
	C542	PZ0CN6810K518	CAPACITOR TUBULA(HIGH DIELE)	680P 50V K B TA26
	C543	PZ0CN2220F668	"CAPACITOR,TUBULAR(HIGH DIELEC)"	2200P 16V M X TA26
	C544	PZ0CQ2232K409	"CAPACITOR,POLYESTER(MYLAR)"	0.022UF S 50V J PE TP
	C545	PZ0CN1040K948	"CAPACITOR,TUBULAR(HIGH DIELEC)"	0.1UF 50V Z F TA26 D
	C546	QET41EM-476	"CAPACITOR,ELECTROLYTIC"	47M SRA 25V M FM5 TP(5)
	C547	QET40JM-476	"CAPACITOR,ELECTROLYTIC"	47M SRA 6.3V M FM5 TP(5)
	C551	PZ0CQ1032K409	"CAPACITOR,POLYESTER(MYLAR)"	0.01UF S 50V J PE TP
	C552	PZ0CN1030F678	CAPACITOR TUBULA(HIGH DIELE)	0.01M 16V M Y TA26
	C556	PZ0CN1030F678	CAPACITOR TUBULA(HIGH DIELE)	0.01M 16V M Y TA26
	C557	PZ0CN1030F678	CAPACITOR TUBULA(HIGH DIELE)	0.01M 16V M Y TA26
	C561	QET40JM-476	"CAPACITOR,ELECTROLYTIC"	47M SRA 6.3V M FM5 TP(5)
	C564	PZ0CN3310K518	CAPACITOR TUBULA(HIGH DIELE)	330P 50V K B TA26
	C567	PZ0CN3920F668	CAPACITOR TUBULA(HIGH DIELE)	3900P 16V M X TA26
	C570	PZ0CC1500K415	"CAPACITOR,CERAMIC(TEMP COMP)"	15P 50V J NP0 TS
	C571	PZ0CC1200K415	"CAPACITOR,CERAMIC(TEMP COMP)"	12P 50V J NP0 TS
	C574	PZ0CN1020K518	CAPACITOR TUBULA(HIGH DIELE)	1000P 50V K B TA26
	C575	PZ0CN1020K518	CAPACITOR TUBULA(HIGH DIELE)	1000P 50V K B TA26

S	REF No.	PART No.	DESCRIPTION	SPECIFICATION
	C576	PZ0CC1200K415	"CAPACITOR,CERAMIC(TEMP COMP)"	12P 50V J NP0 TS
	C577	PZ0CC1500K415	"CAPACITOR,CERAMIC(TEMP COMP)"	15P 50V J NP0 TS
	C581	PZ0CN1030F678	CAPACITOR TUBULA(HIGH DIELE)	0.01M 16V M Y TA26
	C582	PZ0CN1030F678	CAPACITOR TUBULA(HIGH DIELE)	0.01M 16V M Y TA26
	C588	QET41HM-475	"CAPACITOR,ELECTROLYTIC"	4.7M SRA 50V M FM5 TP(5)
	C596	PZ0CN223AK948	"CAPACITOR,TUBULAR(HIGH DIELEC)"	0.022UF 50V Z F TA26 S
	C599	QRD161J-153Y	"RESISTOR,FIXED CARBON FILM"	15K 1/6W 5 TA26
	C5R1	QET40JM-476	"CAPACITOR,ELECTROLYTIC"	47M SRA 6.3V M FM5 TP(5)
	C5S2	PZ0CN1040K948	"CAPACITOR,TUBULAR(HIGH DIELEC)"	0.1UF 50V Z F TA26 D
	C801	QET41CM-106	"CAPACITOR,ELECTROLYTIC"	10M SRA 16V M FM5 TP(5)
	C802	QET41HM-105	"CAPACITOR,ELECTROLYTIC"	1.0M SRA/SS50V M FM5 TP(5)
	C804	QET41CM-226	"CAPACITOR,ELECTROLYTIC"	22M SRA 16V M FM5 TP(5)
	C805	QET41HM-475	"CAPACITOR,ELECTROLYTIC"	4.7M SRA 50V M FM5 TP(5)
	C806	PZ0CN1030F678	CAPACITOR TUBULA(HIGH DIELE)	0.01M 16V M Y TA26
	C807	QET41CM-226	"CAPACITOR,ELECTROLYTIC"	22M SRA 16V M FM5 TP(5)
	C808	QET41CM-226	"CAPACITOR,ELECTROLYTIC"	22M SRA 16V M FM5 TP(5)
	C809	PZ0CN4720F668	CAPACITOR TUBULA(HIGH DIELE)	4700P 16V M X TA26
	C810	PZ0CN3320F668	"CAPACITOR,TUBULAR(HIGH DIELEC)"	3300P 16V M TA26
	C811	QET40JM-227	"CAPACITOR,ELECTROLYTIC"	220M SRA 6.3V M FM5 TP(5)
	C812	PZ0CN1030F678	CAPACITOR TUBULA(HIGH DIELE)	0.01M 16V M Y TA26
	C813	QET40JM-227	"CAPACITOR,ELECTROLYTIC"	220M SRA 6.3V M FM5 TP(5)
	C814	PZ0CN5610K518	CAPACITOR TUBULA(HIGH DIELE)	560P 50V K B TA26
	C815	PZ0CN1030F678	CAPACITOR TUBULA(HIGH DIELE)	0.01M 16V M Y TA26
	C816	PZ0CN1040K948	"CAPACITOR,TUBULAR(HIGH DIELEC)"	0.1UF 50V Z F TA26 D
	C817	PZ0CE1054K636	"CAPACITOR,ELECTROLYTIC"	1.0U SRA 50V M FM5 BP TP(D)
	C818	PZ0CN3320F668	"CAPACITOR,TUBULAR(HIGH DIELEC)"	3300P 16V M TA26
	C819	PZ0CN4720F668	CAPACITOR TUBULA(HIGH DIELE)	4700P 16V M X TA26
	C820	QET41CM-226	"CAPACITOR,ELECTROLYTIC"	22M SRA 16V M FM5 TP(5)
	C821	PZ0CN1030F678	CAPACITOR TUBULA(HIGH DIELE)	0.01M 16V M Y TA26
	C822	QET41HM-475	"CAPACITOR,ELECTROLYTIC"	4.7M SRA 50V M FM5 TP(5)
	C823	QET41CM-226	"CAPACITOR,ELECTROLYTIC"	22M SRA 16V M FM5 TP(5)
	C824	QET41HM-105	"CAPACITOR,ELECTROLYTIC"	1.0M SRA/SS50V M FM5 TP(5)
	C825	QET41HM-104	"CAPACITOR,ELECTROLYTIC"	0.1M SRA 50V M FM5 TP(5)
	C826	QET41CM-106	"CAPACITOR,ELECTROLYTIC"	10M SRA 16V M FM5 TP(5)
	C827	QET41CM-106	"CAPACITOR,ELECTROLYTIC"	10M SRA 16V M FM5 TP(5)
	C828	QET41CM-106	"CAPACITOR,ELECTROLYTIC"	10M SRA 16V M FM5 TP(5)
	C829	QET41CM-476	"CAPACITOR,ELECTROLYTIC"	47M SRA/SS 16V M FM5 TP(5)
	C830	PZ0CN1030F678	CAPACITOR TUBULA(HIGH DIELE)	0.01M 16V M Y TA26
	CS501	PZ6600RDB004C	"SWITCH,DETECTOR"	MPU10252MLB4 MIC NON 5V 0.01A
DIODE				
	D102	EG01CW	"DIODE,RECTIFIER"	EG01CW(R-FORM 5MM) TP SANKEN
	D103	ERA22-06	DIODE	"ERA22-06 KFLB(0.5A,600V) TP FU"
	D106	1N5822	"DIODE,RECTIFIER"	1N5822 BK RECTRON DO201AD 40V
	D107	PZ0DR104009AB	"DIODE,RECTIFIER"	RL104 R. TP GULF SEMICONDUCTOR
	D109	PZ0DR202000AB	"DIODE,RECTIFIER"	HER202 BK RECTRON NON 100V 2A
	D110	PZ0DR104009AB	"DIODE,RECTIFIER"	RL104 R. TP GULF SEMICONDUCTOR
	D111	PZ0DR104009AB	"DIODE,RECTIFIER"	RL104 R. TP GULF SEMICONDUCTOR
	D301	1SS133	"DIODE,SWITCHING"	"1SS133 DETECT, SW TP"
	D3H1	1SS133	"DIODE,SWITCHING"	"1SS133 DETECT, SW TP"
	D401	1SS133	"DIODE,SWITCHING"	"1SS133 DETECT, SW TP"
	D402	1SS133	"DIODE,SWITCHING"	"1SS133 DETECT, SW TP"
	DJ09	1SS133	"DIODE,SWITCHING"	"1SS133 DETECT, SW TP"
	DJ10	1SS133	"DIODE,SWITCHING"	"1SS133 DETECT, SW TP"
	ES501	PZ4931R-0016A	HOLDER ASSY	END
	ES502	PZ4931R-0016A	HOLDER ASSY	END
FUSE				
△	F101	PZ585-011T	"FUSE,SLOW BLOW"	1600MA 250 V 5.2X20 CY/GL SEMK
△	FH01	PZ586-008B	HOLDER	FUSE CLIP TP SINSUNG
△	FH02	PZ586-008B	HOLDER	FUSE CLIP TP SINSUNG
	FL301	PZ633-032K	COIL	"BIAC OSC,1CHIP 5V(KS-75M)"
IC				
△	IC101	STR-G6153T	"IC,SANKEN"	STR-G6153T 5PIN FM CUT BK PWM
△	IC102	LTV-817B	SENSOR	"LTV-817B,PHOTO COUPLER(LITEON)"
	IC103	LM431AZ	"IC,SAMSUNG ELECTRONICS"	KA431AZ (LM431AZ)
	IC301	PZ0ISA715780A	"IC,SANYO"	LA71578M 100QFP TP AVCP MULTI
	IC401	PZ0IMI658450A	"IC,MITSUBISHI"	M65845AFP 36DIP BK KARAOKE
	IC402	PZ0IRH335000B	"IC,ROHM"	BA335 (BLANK DETECTOR)
	IC403	PZ0IMI624290A	"IC,MITSUBISHI"	M62429P 8DIP BK VR
	IC404	PZ0IFA340300A	"IC,FAIRCHILD"	KA3403 14P DIP ST QUAD OP AMP
	IC501	PZ0IHY397611C	"IC,HYUNDAI"	GMS3976SA118F 100QFP BK MICOM
	IC502	PZ0ISS308200A	"IC,SAMSUNG ELECTRONICS"	KA3082 10-SIP BK MOTOR DRIVE

S	REF No.	PART No.	DESCRIPTION	SPECIFICATION
	IC503	PZ0ISS240210B	"IC,SAMSUNG ELECTRONICS"	KS24C021C 8P DIP ST EEPROM 2K
	IC504	PZ0IKE703100A	"IC,KEC"	KIA7031P 3P 3.1V RESET(TAPING)
	IC506	PZ0IDW358000A	"IC,DAEWOO"	DBL358 OP-AMP(DIP)
	IC801	PZ0ISA726340A	"IC,SANYO"	LA72634M QIP64E BK HIFI +PREAM
	JK301	PZ572-081E	JACK	BJP-606 (BAE EUN)
COIL (INDUCTOR)				
△	L102	PZ616-145H	FILTER(CIRC)	SHT LFS2020V4-04350
	L103	PZ633-088G	"COIL,CHOKE"	CHOCK(22MH) TP 5MM
	L104	PZ633-088G	"COIL,CHOKE"	CHOCK(22MH) TP 5MM
	L301	PZ0LR0102K035	INDUCTOR RADIAL LEAD	10M K 6X6 L5 TP
	L302	PZ0LA0562K018	INDUCTOR AXIAL LEAD	56M K 2.3X3.4 L5 TP
	L303	PZ0LA0332K018	INDUCTOR AXIAL LEAD	33M K 2.3X3.4 L5 TP
	L304	PZ0LR0102K035	INDUCTOR RADIAL LEAD	10M K 6X6 L5 TP
	L306	PZ0LA0182K018	INDUCTOR AXIAL LEAD	18M K 2.3X3.4 L5 TP
	L307	PZ0LR0102K035	INDUCTOR RADIAL LEAD	10M K 6X6 L5 TP
	L310	PZ0LR0272K035	INDUCTOR RADIAL LEAD	27M K 6X6 L5 TP
	L3C2	PZ0LA0182K018	INDUCTOR AXIAL LEAD	18M K 2.3X3.4 L5 TP
	L3K1	PZ0LA1000K018	INDUCTOR AXIAL LEAD	100M K 2.3X3.4 L5 TP
	L3K2	PZ0LA1000K018	INDUCTOR AXIAL LEAD	100M K 2.3X3.4 L5 TP
	L3K3	PZ0LA1000K018	INDUCTOR AXIAL LEAD	100M K 2.3X3.4 L5 TP
	L3K4	PZ0LA1000K018	INDUCTOR AXIAL LEAD	100M K 2.3X3.4 L5 TP
	L3M1	PZ0LA0182K018	INDUCTOR AXIAL LEAD	18M K 2.3X3.4 L5 TP
	L3M2	PZ0LR1000K035	INDUCTOR RADIAL LEAD	100M K 6X6 L5 TP
	L3S1	PZ0LA0332K018	INDUCTOR AXIAL LEAD	33M K 2.3X3.4 L5 TP
	L3S2	PZ0LR1000K035	INDUCTOR RADIAL LEAD	100M K 6X6 L5 TP
	L401	PZ0LR1000K035	INDUCTOR RADIAL LEAD	100M K 6X6 L5 TP
	L402	PZ0LR1000K035	INDUCTOR RADIAL LEAD	100M K 6X6 L5 TP
	L502	PZ0LR1000J025	"INDUCTOR,RADIAL LEAD"	100UH 5% 4X5 TR5
	L505	PZ0LR1000J025	"INDUCTOR,RADIAL LEAD"	100UH 5% 4X5 TR5
	L506	PZ635-027C	COIL	EL0405RA SKI150G-3 K-TDK 15UH
	L801	PZ0LR1000K035	INDUCTOR RADIAL LEAD	100M K 6X6 L5 TP
	L802	PZ0LR1000K035	INDUCTOR RADIAL LEAD	100M K 6X6 L5 TP
LED				
	LD501	PZ4931R-0017A	HOLDER ASSY	LED
	LED502	PZ6301R2U001C	LED ASSY	TOH-30MG3RGR
OTHERS				
	MC401	PZ6612R-B003A	"JACK,HEADPHONE"	PJ-615-05 YUQIU ANG 16*12.5
	MC402	PZ6612R-B003A	"JACK,HEADPHONE"	PJ-615-05 YUQIU ANG 16*12.5
	MD301	PZ6704R-P001B	MODULATOR	TAMC-G012D LG GKI W/ PLL VET 2
	MS501	PZ6600RPY001B	"SWITCH,DETECTOR"	MMS00420ZMBO MIC NON 5V 1MA VE
	P3D01	PZ561-234W	CONNECTOR (CIRC)	GF120-10S-TS-A LGC 10PIN 1.25M
	P3D02	PZ6630R5S010A	CONNECTOR (CIRC)	GF105-06S-TS LG CABLE 6PIN 2MM
	P3D03	PZ561-251B	CONNECTOR	GB201-2P-TS-B(LGC)
	PKM01	PZ561-036A	CONNECTOR	MA V 8283-0212 WH ELCO
	PMC01	PZ6630R-BE01H	"CONNECTOR (CIRC),BOARD TO BOAR"	JE612-08 JAE EUN 8PIN 2.0MM ST
	PMD01	PZ561-234V	CONNECTOR (CIRC)	GF120-07S-TS LGC 7PIN 1.25MM S
	PMK01	PZ672-434H	CONNECTOR ASSY	2P-150 (9073-8283)
	PML01	PZ6630R2S011A	CONNECTOR (CIRC)	TMC-T02X-C1 TAIKO 2PIN 2.5MM S
△	PTP01	PZ642-015F	"TRANSFORMER,SMPS"	CS-015F/SJ015F CS/SJ WIDE EER2
△	PW101	PZ561-292B	CONNECTOR	GP390 LGC 3P 3.96 STRAIGHT SN
	SW5J3	PZ556-282C	TACT SW	SKQNQED ALPS 5MM 12V/50MAV
	SW5J4	PZ556-282C	TACT SW	SKQNQED ALPS 5MM 12V/50MAV
	SW5J5	PZ556-282C	TACT SW	SKQNQED ALPS 5MM 12V/50MAV
	SW5J6	PZ556-282C	TACT SW	SKQNQED ALPS 5MM 12V/50MAV
	SW5J7	PZ556-282C	TACT SW	SKQNQED ALPS 5MM 12V/50MAV
	SW5J8	PZ556-282C	TACT SW	SKQNQED ALPS 5MM 12V/50MAV
	SW5K1	PZ556-213C	VER SW	SKHV10912A LGEC NON 12V 5A
	SW5K2	PZ556-213C	VER SW	SKHV10912A LGEC NON 12V 5A
	SW5K3	PZ556-213C	VER SW	SKHV10912A LGEC NON 12V 5A
	SW5K4	PZ556-213C	VER SW	SKHV10912A LGEC NON 12V 5A
	SW5K5	PZ556-213C	VER SW	SKHV10912A LGEC NON 12V 5A
	SW5T1	PZ556-213C	VER SW	SKHV10912A LGEC NON 12V 5A
	SW5T2	PZ556-213C	VER SW	SKHV10912A LGEC NON 12V 5A
	VR501	PZ613-032W	VR	RH063MCJ5R (220K)
TRANSISTOR				
	Q151	PZ0TR320309AA	TRANSISTOR	KTC3203-Y (KTC2120) TP KEC 10P
	Q152	PZ0TR200309AA	TRANSISTOR	KSR2003TA TP FAIRCHILD TO92
	Q153	PZ0TR232809AB	TRANSISTOR	KSC2328A-Y TP SAMSUNG TO-92L
	Q154	PZ0TR232809AB	TRANSISTOR	KSC2328A-Y TP SAMSUNG TO-92L
	Q155	PZ0TR319800AC	TRANSISTOR	KTC3198-Y (KTC1815) KEC
	Q301	PZ0TR319809AC	TRANSISTOR	KTC3198-TP-BL (KTC1815)KEC

S	REF No.	PART No.	DESCRIPTION	SPECIFICATION
	Q302	PZ0TR319809AC	TRANSISTOR	KTC3198-TP-BL (KTC1815)KEC
	Q303	PZ0TR126609AE	TRANSISTOR	"KTA1266-GR,TP(KTA1015),KEC"
	Q304	PZ0TR319809AC	TRANSISTOR	KTC3198-TP-BL (KTC1815)KEC
	Q305	PZ0TR126609AE	TRANSISTOR	"KTA1266-GR,TP(KTA1015),KEC"
	Q307	PZ0TR126609AE	TRANSISTOR	"KTA1266-GR,TP(KTA1015),KEC"
	Q308	PZ0TR319809AC	TRANSISTOR	KTC3198-TP-BL (KTC1815)KEC
	Q309	PZ0TR319809AC	TRANSISTOR	KTC3198-TP-BL (KTC1815)KEC
	Q310	PZ0TR126609AE	TRANSISTOR	"KTA1266-GR,TP(KTA1015),KEC"
	Q311	PZ0TR320309AA	TRANSISTOR	KTC3203-Y (KTC2120) TP KEC 10P
	Q3A1	PZ0TR319809AC	TRANSISTOR	KTC3198-TP-BL (KTC1815)KEC
	Q3B1	PZ0TR100309AA	TRANSISTOR	KSR1003 TP (S/S)
	Q3C1	PZ0TR319809AC	TRANSISTOR	KTC3198-TP-BL (KTC1815)KEC
	Q3H1	PZ0TR319809AC	TRANSISTOR	KTC3198-TP-BL (KTC1815)KEC
	Q3H2	PZ0TR319809AC	TRANSISTOR	KTC3198-TP-BL (KTC1815)KEC
	Q3H3	PZ0TR319809AC	TRANSISTOR	KTC3198-TP-BL (KTC1815)KEC
	Q3H4	PZ0TR200309AA	TRANSISTOR	KSR2003TA TP FAIRCHILD TO92
	Q3H5	PZ0TR100309AA	TRANSISTOR	KSR1003 TP (S/S)
	Q3H6	PZ0TR100309AA	TRANSISTOR	KSR1003 TP (S/S)
	Q3M1	PZ0TR126609AE	TRANSISTOR	"KTA1266-GR,TP(KTA1015),KEC"
	Q3M2	PZ0TR100309AA	TRANSISTOR	KSR1003 TP (S/S)
	Q3S1	PZ0TR319809AC	TRANSISTOR	KTC3198-TP-BL (KTC1815)KEC
	Q3S2	PZ0TR126609AE	TRANSISTOR	"KTA1266-GR,TP(KTA1015),KEC"
	Q3S3	PZ0TR100309AA	TRANSISTOR	KSR1003 TP (S/S)
	Q402	PZ0TR319809AC	TRANSISTOR	KTC3198-TP-BL (KTC1815)KEC
	Q403	PZ0TR319809AC	TRANSISTOR	KTC3198-TP-BL (KTC1815)KEC
	Q514	PZ0TR100309AA	TRANSISTOR	KSR1003 TP (S/S)
	Q515	PZ0TR100309AA	TRANSISTOR	KSR1003 TP (S/S)
	Q5P2	PZ0TR100309AA	TRANSISTOR	KSR1003 TP (S/S)
	Q5P3	PZ0TR100309AA	TRANSISTOR	KSR1003 TP (S/S)
	Q5P4	PZ0TR100309AA	TRANSISTOR	KSR1003 TP (S/S)
	Q5P5	PZ0TR100309AA	TRANSISTOR	KSR1003 TP (S/S)
	Q5P6	PZ0TR100309AA	TRANSISTOR	KSR1003 TP (S/S)
RESISTOR				
	R101	PZ614-007R	"RESISTOR,CEMENT"	2.7 OHM 2 W 5% TR RWR
	R102	PZORS1003K619	"RESISTOR,FIX METAL FILM OXIDE"	100K OHM 2 W 5% TR
	R103	QRD161J-100Y	"RESISTOR,FIXED CARBON FILM"	10 1/6W 5 TA26
	R104	PZORS5602K619	"RESISTOR,FIX METAL FILM OXIDE"	56KOHM 2 W 5% TR
	R109	PZORS0470K619	"RESISTOR,FIX METAL FILM OXIDE"	0.47OHM 2 W 5% TR
	R116	QRD161J-331Y	"RESISTOR,FIXED CARBON FILM"	330 1/6W 5 TA26
	R117	QRD161J-222Y	"RESISTOR,FIXED CARBON FILM"	2.2K 1/6W 5 TA26
	R118	QRD161J-102Y	"RESISTOR,FIXED CARBON FILM"	1.0K 1/6W 5 TA26
	R119	PZORN3301E408	"RESISTOR,FIX METAL FILM"	3.3K 1/8W 1 TA26
	R120	PZORN2701E408	"RESISTOR,FIX METAL FILM"	2.70K 1/8W 1% TA26
	R121	QRD161J-181Y	"RESISTOR,FIXED CARBON FILM"	180 1/6W 5 TA26
	R151	QRD161J-561Y	"RESISTOR,FIXED CARBON FILM"	560 1/6W 5 TA26
	R152	QRD161J-223Y	"RESISTOR,FIXED CARBON FILM"	22K 1/6W 5 TA26
	R153	QRD161J-331Y	"RESISTOR,FIXED CARBON FILM"	330 1/6W 5 TA26
	R154	QRD161J-223Y	"RESISTOR,FIXED CARBON FILM"	22K 1/6W 5 TA26
	R303	QRD161J-183Y	"RESISTOR,FIXED CARBON FILM"	18K 1/6W 5 TA26
	R304	QRD161J-183Y	"RESISTOR,FIXED CARBON FILM"	18K 1/6W 5 TA26
	R305	QRD161J-122Y	"RESISTOR,FIXED CARBON FILM"	1.2K 1/6W 5 TA26
	R306	QRD161J-331Y	"RESISTOR,FIXED CARBON FILM"	330 1/6W 5 TA26
	R307	QRD161J-331Y	"RESISTOR,FIXED CARBON FILM"	330 1/6W 5 TA26
	R308	QRD161J-272Y	"RESISTOR,FIXED CARBON FILM"	2.7K 1/6W 5 TA26
	R309	QRD161J-821Y	"RESISTOR,FIXED CARBON FILM"	820 1/6W 5 TA26
	R310	QRD161J-561Y	"RESISTOR,FIXED CARBON FILM"	560 1/6W 5 TA26
	R311	QRD161J-472Y	"RESISTOR,FIXED CARBON FILM"	4.7K 1/6W 5 TA26
	R312	QRD161J-182Y	"RESISTOR,FIXED CARBON FILM"	1.8K 1/6W 5 TA26
	R313	QRD161J-271Y	"RESISTOR,FIXED CARBON FILM"	270 1/6W 5 TA26
	R316	QRD161J-101Y	"RESISTOR,FIXED CARBON FILM"	100 1/6W 5 TA26
	R317	QRD161J-224Y	"RESISTOR,FIXED CARBON FILM"	220K 1/6W 5 TA26
	R318	QRD161J-222Y	"RESISTOR,FIXED CARBON FILM"	2.2K 1/6W 5 TA26
	R319	QRD161J-102Y	"RESISTOR,FIXED CARBON FILM"	1.0K 1/6W 5 TA26
	R321	QRD161J-122Y	"RESISTOR,FIXED CARBON FILM"	1.2K 1/6W 5 TA26
	R322	QRD161J-822Y	"RESISTOR,FIXED CARBON FILM"	8.2K 1/6W 5 TA26
	R323	QRD161J-103Y	"RESISTOR,FIXED CARBON FILM"	10K 1/6W 5 TA26
	R324	QRD161J-103Y	"RESISTOR,FIXED CARBON FILM"	10K 1/6W 5 TA26
	R325	QRD161J-102Y	"RESISTOR,FIXED CARBON FILM"	1.0K 1/6W 5 TA26
	R326	QRD161J-122Y	"RESISTOR,FIXED CARBON FILM"	1.2K 1/6W 5 TA26
	R335	QRD161J-183Y	"RESISTOR,FIXED CARBON FILM"	18K 1/6W 5 TA26
	R337	QRD161J-183Y	"RESISTOR,FIXED CARBON FILM"	18K 1/6W 5 TA26

S	REF No.	PART No.	DESCRIPTION	SPECIFICATION
	R338	QRD161J-221Y	"RESISTOR, FIXED CARBON FILM"	220 1/6W 5 TA26
	R340	QRD161J-103Y	"RESISTOR, FIXED CARBON FILM"	10K 1/6W 5 TA26
	R341	QRD161J-332Y	"RESISTOR, FIXED CARBON FILM"	3.3K 1/6W 5 TA26
	R342	QRD161J-225Y	"RESISTOR, FIXED CARBON FILM"	2.2M 1/6W 5 TA26
	R343	QRD161J-682Y	"RESISTOR, FIXED CARBON FILM"	6.8K 1/6W 5 TA26
	R344	QRD161J-392Y	"RESISTOR, FIXED CARBON FILM"	3.9K 1/6W 5 TA26
	R345	QRD161J-472Y	"RESISTOR, FIXED CARBON FILM"	4.7K 1/6W 5 TA26
	R346	QRD161J-152Y	"RESISTOR, FIXED CARBON FILM"	1.5K 1/6W 5 TA26
	R347	QRD161J-221Y	"RESISTOR, FIXED CARBON FILM"	220 1/6W 5 TA26
	R348	QRD161J-272Y	"RESISTOR, FIXED CARBON FILM"	2.7K 1/6W 5 TA26
	R350	QRD161J-471Y	"RESISTOR, FIXED CARBON FILM"	470 1/6W 5 TA26
	R351	QRD161J-223Y	"RESISTOR, FIXED CARBON FILM"	22K 1/6W 5 TA26
	R352	QRD161J-103Y	"RESISTOR, FIXED CARBON FILM"	10K 1/6W 5 TA26
	R353	QRD161J-822Y	"RESISTOR, FIXED CARBON FILM"	8.2K 1/6W 5 TA26
	R354	QRD161J-123Y	"RESISTOR, FIXED CARBON FILM"	12K 1/6W 5 TA26
	R355	QRD161J-334Y	"RESISTOR, FIXED CARBON FILM"	330K 1/6W 5 TA26
	R356	QRD161J-151Y	"RESISTOR, FIXED CARBON FILM"	150 1/6W 5 TA26
	R357	QRD161J-102Y	"RESISTOR, FIXED CARBON FILM"	1.0K 1/6W 5 TA26
	R358	QRD161J-273Y	"RESISTOR, FIXED CARBON FILM"	27K 1/6W 5 TA26
	R359	QRD161J-222Y	"RESISTOR, FIXED CARBON FILM"	2.2K 1/6W 5 TA26
	R360	QRD161J-472Y	"RESISTOR, FIXED CARBON FILM"	4.7K 1/6W 5 TA26
	R361	QRD161J-103Y	"RESISTOR, FIXED CARBON FILM"	10K 1/6W 5 TA26
	R362	QRD161J-223Y	"RESISTOR, FIXED CARBON FILM"	22K 1/6W 5 TA26
	R363	QRD161J-561Y	"RESISTOR, FIXED CARBON FILM"	560 1/6W 5 TA26
	R364	QRD161J-470Y	"RESISTOR, FIXED CARBON FILM"	47 1/6W 5 TA26
	R365	QRD161J-102Y	"RESISTOR, FIXED CARBON FILM"	1.0K 1/6W 5 TA26
	R366	QRD161J-2R2	"RESISTOR, FIXED CARBON FILM"	2.2 1/6W 5 TA26
	R3A1	QRD161J-222Y	"RESISTOR, FIXED CARBON FILM"	2.2K 1/6W 5 TA26
	R3A2	QRD161J-473Y	"RESISTOR, FIXED CARBON FILM"	47K 1/6W 5 TA26
	R3B1	QRD161J-472Y	"RESISTOR, FIXED CARBON FILM"	4.7K 1/6W 5 TA26
	R3B2	QRD161J-102Y	"RESISTOR, FIXED CARBON FILM"	1.0K 1/6W 5 TA26
	R3C3	QRD161J-105Y	"RESISTOR, FIXED CARBON FILM"	1.0M 1/6W 5 TA26
	R3C4	QRD161J-562Y	"RESISTOR, FIXED CARBON FILM"	5.6K 1/6W 5 TA26
	R3C6	QRD161J-102Y	"RESISTOR, FIXED CARBON FILM"	1.0K 1/6W 5 TA26
	R3C8	QRD161J-561Y	"RESISTOR, FIXED CARBON FILM"	560 1/6W 5 TA26
	R3C9	QRD161J-821Y	"RESISTOR, FIXED CARBON FILM"	820 1/6W 5 TA26
	R3D1	QRD161J-103Y	"RESISTOR, FIXED CARBON FILM"	10K 1/6W 5 TA26
	R3H1	QRD161J-222Y	"RESISTOR, FIXED CARBON FILM"	2.2K 1/6W 5 TA26
	R3H2	QRD161J-103Y	"RESISTOR, FIXED CARBON FILM"	10K 1/6W 5 TA26
	R3K1	QRD161J-750Y	"RESISTOR, FIXED CARBON FILM"	75 1/6W 5 TA26
	R3K2	QRD161J-750Y	"RESISTOR, FIXED CARBON FILM"	75 1/6W 5 TA26
	R3K3	QRD161J-332Y	"RESISTOR, FIXED CARBON FILM"	3.3K 1/6W 5 TA26
	R3M1	QRD161J-101Y	"RESISTOR, FIXED CARBON FILM"	100 1/6W 5 TA26
	R3M2	QRD161J-102Y	"RESISTOR, FIXED CARBON FILM"	1.0K 1/6W 5 TA26
	R3M4	QRD161J-221Y	"RESISTOR, FIXED CARBON FILM"	220 1/6W 5 TA26
	R3M5	QRD161J-221Y	"RESISTOR, FIXED CARBON FILM"	220 1/6W 5 TA26
	R3M6	QRD161J-102Y	"RESISTOR, FIXED CARBON FILM"	1.0K 1/6W 5 TA26
	R3M7	QRD161J-271Y	"RESISTOR, FIXED CARBON FILM"	270 1/6W 5 TA26
	R3M8	QRD161J-271Y	"RESISTOR, FIXED CARBON FILM"	270 1/6W 5 TA26
	R3M9	QRD161J-183Y	"RESISTOR, FIXED CARBON FILM"	18K 1/6W 5 TA26
	R3S1	QRD161J-104Y	"RESISTOR, FIXED CARBON FILM"	100K 1/6W 5 TA26
	R3S2	QRD161J-561Y	"RESISTOR, FIXED CARBON FILM"	560 1/6W 5 TA26
	R3S3	QRD161J-152Y	"RESISTOR, FIXED CARBON FILM"	1.5K 1/6W 5 TA26
	R3S4	QRD161J-561Y	"RESISTOR, FIXED CARBON FILM"	560 1/6W 5 TA26
	R3S5	QRD161J-561Y	"RESISTOR, FIXED CARBON FILM"	560 1/6W 5 TA26
	R401	QRD161J-472Y	"RESISTOR, FIXED CARBON FILM"	4.7K 1/6W 5 TA26
	R402	QRD161J-153Y	"RESISTOR, FIXED CARBON FILM"	15K 1/6W 5 TA26
	R403	QRD161J-393Y	"RESISTOR, FIXED CARBON FILM"	39K 1/6W 5 TA26
	R404	QRD161J-682Y	"RESISTOR, FIXED CARBON FILM"	6.8K 1/6W 5 TA26
	R408	QRD161J-223Y	"RESISTOR, FIXED CARBON FILM"	22K 1/6W 5 TA26
	R409	QRD161J-223Y	"RESISTOR, FIXED CARBON FILM"	22K 1/6W 5 TA26
	R410	QRD161J-223Y	"RESISTOR, FIXED CARBON FILM"	22K 1/6W 5 TA26
	R411	QRD161J-273Y	"RESISTOR, FIXED CARBON FILM"	27K 1/6W 5 TA26
	R413	QRD161J-223Y	"RESISTOR, FIXED CARBON FILM"	22K 1/6W 5 TA26
	R414	QRD161J-223Y	"RESISTOR, FIXED CARBON FILM"	22K 1/6W 5 TA26
	R415	QRD161J-223Y	"RESISTOR, FIXED CARBON FILM"	22K 1/6W 5 TA26
	R416	QRD161J-102Y	"RESISTOR, FIXED CARBON FILM"	1.0K 1/6W 5 TA26
	R417	QRD161J-393Y	"RESISTOR, FIXED CARBON FILM"	39K 1/6W 5 TA26
	R418	QRD161J-273Y	"RESISTOR, FIXED CARBON FILM"	27K 1/6W 5 TA26
	R419	QRD161J-473Y	"RESISTOR, FIXED CARBON FILM"	47K 1/6W 5 TA26
	R420	QRD161J-333Y	"RESISTOR, FIXED CARBON FILM"	33K 1/6W 5 TA26

S	REF No.	PART No.	DESCRIPTION	SPECIFICATION
	R421	QRD161J-822Y	"RESISTOR, FIXED CARBON FILM"	8.2K 1/6W 5 TA26
	R422	QRD161J-222Y	"RESISTOR, FIXED CARBON FILM"	2.2K 1/6W 5 TA26
	R423	QRD161J-681Y	"RESISTOR, FIXED CARBON FILM"	680 1/6W 5 TA26
	R424	QRD161J-102Y	"RESISTOR, FIXED CARBON FILM"	1.0K 1/6W 5 TA26
	R425	QRD161J-184Y	"RESISTOR, FIXED CARBON FILM"	180K 1/6W 5 TA26
	R426	QRD161J-682Y	"RESISTOR, FIXED CARBON FILM"	6.8K 1/6W 5 TA26
	R427	QRD161J-393Y	"RESISTOR, FIXED CARBON FILM"	39K 1/6W 5 TA26
	R428	QRD161J-683Y	"RESISTOR, FIXED CARBON FILM"	68K 1/6W 5 TA26
	R430	QRD161J-153Y	"RESISTOR, FIXED CARBON FILM"	15K 1/6W 5 TA26
	R431	QRD161J-101Y	"RESISTOR, FIXED CARBON FILM"	100 1/6W 5 TA26
	R432	QRD161J-101Y	"RESISTOR, FIXED CARBON FILM"	100 1/6W 5 TA26
	R433	QRD161J-472Y	"RESISTOR, FIXED CARBON FILM"	4.7K 1/6W 5 TA26
	R434	QRD161J-472Y	"RESISTOR, FIXED CARBON FILM"	4.7K 1/6W 5 TA26
	R435	QRD161J-104Y	"RESISTOR, FIXED CARBON FILM"	100K 1/6W 5 TA26
	R436	QRD161J-473Y	"RESISTOR, FIXED CARBON FILM"	47K 1/6W 5 TA26
	R437	QRD161J-122Y	"RESISTOR, FIXED CARBON FILM"	1.2K 1/6W 5 TA26
	R438	QRD161J-102Y	"RESISTOR, FIXED CARBON FILM"	1.0K 1/6W 5 TA26
	R440	QRD161J-393Y	"RESISTOR, FIXED CARBON FILM"	39K 1/6W 5 TA26
	R441	QRD161J-562Y	"RESISTOR, FIXED CARBON FILM"	5.6K 1/6W 5 TA26
	R442	QRD161J-562Y	"RESISTOR, FIXED CARBON FILM"	5.6K 1/6W 5 TA26
	R443	QRD161J-393Y	"RESISTOR, FIXED CARBON FILM"	39K 1/6W 5 TA26
	R445	QRD161J-223Y	"RESISTOR, FIXED CARBON FILM"	22K 1/6W 5 TA26
	R446	QRD161J-223Y	"RESISTOR, FIXED CARBON FILM"	22K 1/6W 5 TA26
	R447	QRD161J-102Y	"RESISTOR, FIXED CARBON FILM"	1.0K 1/6W 5 TA26
	R448	QRD161J-102Y	"RESISTOR, FIXED CARBON FILM"	1.0K 1/6W 5 TA26
	R450	QRD161J-224Y	"RESISTOR, FIXED CARBON FILM"	220K 1/6W 5 TA26
	R451	QRD161J-221Y	"RESISTOR, FIXED CARBON FILM"	220 1/6W 5 TA26
	R452	QRD161J-272Y	"RESISTOR, FIXED CARBON FILM"	2.7K 1/6W 5 TA26
	R453	QRD161J-221Y	"RESISTOR, FIXED CARBON FILM"	220 1/6W 5 TA26
	R454	QRD161J-272Y	"RESISTOR, FIXED CARBON FILM"	2.7K 1/6W 5 TA26
	R456	QRD161J-273Y	"RESISTOR, FIXED CARBON FILM"	27K 1/6W 5 TA26
	R457	QRD161J-273Y	"RESISTOR, FIXED CARBON FILM"	27K 1/6W 5 TA26
	R459	QRD161J-103Y	"RESISTOR, FIXED CARBON FILM"	10K 1/6W 5 TA26
	R460	QRD161J-472Y	"RESISTOR, FIXED CARBON FILM"	4.7K 1/6W 5 TA26
	R461	QRD161J-103Y	"RESISTOR, FIXED CARBON FILM"	10K 1/6W 5 TA26
	R462	QRD161J-472Y	"RESISTOR, FIXED CARBON FILM"	4.7K 1/6W 5 TA26
	R463	QRD161J-474Y	"RESISTOR, FIXED CARBON FILM"	470K 1/6W 5 TA26
	R464	QRD161J-474Y	"RESISTOR, FIXED CARBON FILM"	470K 1/6W 5 TA26
	R465	QRD161J-474Y	"RESISTOR, FIXED CARBON FILM"	470K 1/6W 5 TA26
	R466	QRD161J-474Y	"RESISTOR, FIXED CARBON FILM"	470K 1/6W 5 TA26
	R467	QRD161J-333Y	"RESISTOR, FIXED CARBON FILM"	33K 1/6W 5 TA26
	R468	QRD161J-152Y	"RESISTOR, FIXED CARBON FILM"	1.5K 1/6W 5 TA26
	R501	QRD161J-101Y	"RESISTOR, FIXED CARBON FILM"	100 1/6W 5 TA26
	R502	QRD161J-101Y	"RESISTOR, FIXED CARBON FILM"	100 1/6W 5 TA26
	R505	QRD161J-102Y	"RESISTOR, FIXED CARBON FILM"	1.0K 1/6W 5 TA26
	R506	QRD161J-102Y	"RESISTOR, FIXED CARBON FILM"	1.0K 1/6W 5 TA26
	R508	QRD161J-222Y	"RESISTOR, FIXED CARBON FILM"	2.2K 1/6W 5 TA26
	R510	QRD161J-222Y	"RESISTOR, FIXED CARBON FILM"	2.2K 1/6W 5 TA26
	R511	QRD161J-102Y	"RESISTOR, FIXED CARBON FILM"	1.0K 1/6W 5 TA26
	R512	QRD161J-102Y	"RESISTOR, FIXED CARBON FILM"	1.0K 1/6W 5 TA26
	R515	QRD161J-271Y	"RESISTOR, FIXED CARBON FILM"	270 1/6W 5 TA26
	R517	QRD161J-105Y	"RESISTOR, FIXED CARBON FILM"	1.0M 1/6W 5 TA26
	R518	QRD161J-102Y	"RESISTOR, FIX METAL FILM"	1.0K 1/6W 1 TA26
	R519	QRD161J-273Y	"RESISTOR, FIXED CARBON FILM"	27K 1/6W 5 TA26
	R521	QRD161J-332Y	"RESISTOR, FIXED CARBON FILM"	3.3K 1/6W 5 TA26
	R522	QRD161J-102Y	"RESISTOR, FIXED CARBON FILM"	1.0K 1/6W 5 TA26
	R523	QRD161J-153Y	"RESISTOR, FIXED CARBON FILM"	15K 1/6W 5 TA26
	R524	PZORF0681J619	"RESISTOR, FUSIBLE"	6.8 OHM 1 W 5% TR
	R525	QRD161J-562Y	"RESISTOR, FIXED CARBON FILM"	5.6K 1/6W 5 TA26
	R526	QRD161J-562Y	"RESISTOR, FIXED CARBON FILM"	5.6K 1/6W 5 TA26
	R527	QRD161J-561Y	"RESISTOR, FIXED CARBON FILM"	560 1/6W 5 TA26
	R528	QRD161J-103Y	"RESISTOR, FIXED CARBON FILM"	10K 1/6W 5 TA26
	R531	QRD161J-103Y	"RESISTOR, FIXED CARBON FILM"	10K 1/6W 5 TA26
	R534	QRD161J-105Y	"RESISTOR, FIXED CARBON FILM"	1.0M 1/6W 5 TA26
	R535	QRD161J-474Y	"RESISTOR, FIXED CARBON FILM"	470K 1/6W 5 TA26
	R543	QRD161J-101Y	"RESISTOR, FIXED CARBON FILM"	100 1/6W 5 TA26
	R544	QRD161J-472Y	"RESISTOR, FIXED CARBON FILM"	4.7K 1/6W 5 TA26
	R545	QRD161J-222Y	"RESISTOR, FIXED CARBON FILM"	2.2K 1/6W 5 TA26
	R546	QRD161J-561Y	"RESISTOR, FIXED CARBON FILM"	560 1/6W 5 TA26
	R547	QRD161J-123Y	"RESISTOR, FIXED CARBON FILM"	12K 1/6W 5 TA26
	R548	QRD161J-104Y	"RESISTOR, FIXED CARBON FILM"	100K 1/6W 5 TA26

S	REF No.	PART No.	DESCRIPTION	SPECIFICATION
	R550	QRD161J-221Y	"RESISTOR, FIXED CARBON FILM"	220 1/6W 5 TA26
	R553	QRD161J-221Y	"RESISTOR, FIXED CARBON FILM"	220 1/6W 5 TA26
	R555	QRD161J-221Y	"RESISTOR, FIXED CARBON FILM"	220 1/6W 5 TA26
	R556	QRD161J-223Y	"RESISTOR, FIXED CARBON FILM"	22K 1/6W 5 TA26
	R557	QRD161J-273Y	"RESISTOR, FIXED CARBON FILM"	27K 1/6W 5 TA26
	R558	QRD161J-223Y	"RESISTOR, FIXED CARBON FILM"	22K 1/6W 5 TA26
	R559	QRD161J-472Y	"RESISTOR, FIXED CARBON FILM"	4.7K 1/6W 5 TA26
	R560	QRD161J-472Y	"RESISTOR, FIXED CARBON FILM"	4.7K 1/6W 5 TA26
	R561	QRD161J-561Y	"RESISTOR, FIXED CARBON FILM"	560 1/6W 5 TA26
	R562	QRD161J-561Y	"RESISTOR, FIXED CARBON FILM"	560 1/6W 5 TA26
	R563	QRD161J-103Y	"RESISTOR, FIXED CARBON FILM"	10K 1/6W 5 TA26
	R564	QRD161J-273Y	"RESISTOR, FIXED CARBON FILM"	27K 1/6W 5 TA26
	R567	QRD161J-222Y	"RESISTOR, FIXED CARBON FILM"	2.2K 1/6W 5 TA26
	R568	QRD161J-684Y	"RESISTOR, FIXED CARBON FILM"	680K 1/6W 5 TA26
	R569	QRD161J-105Y	"RESISTOR, FIXED CARBON FILM"	1.0M 1/6W 5 TA26
	R575	QRD161J-472Y	"RESISTOR, FIXED CARBON FILM"	4.7K 1/6W 5 TA26
	R576	QRD161J-472Y	"RESISTOR, FIXED CARBON FILM"	4.7K 1/6W 5 TA26
	R577	QRD161J-472Y	"RESISTOR, FIXED CARBON FILM"	4.7K 1/6W 5 TA26
	R578	QRD161J-472Y	"RESISTOR, FIXED CARBON FILM"	4.7K 1/6W 5 TA26
	R579	QRD161J-104Y	"RESISTOR, FIXED CARBON FILM"	100K 1/6W 5 TA26
	R580	QRD161J-470Y	"RESISTOR, FIXED CARBON FILM"	47 1/6W 5 TA26
	R581	QRD161J-683Y	"RESISTOR, FIXED CARBON FILM"	68K 1/6W 5 TA26
	R586	QRD161J-222Y	"RESISTOR, FIXED CARBON FILM"	2.2K 1/6W 5 TA26
	R589	QRD161J-105Y	"RESISTOR, FIXED CARBON FILM"	1.0M 1/6W 5 TA26
	R599	QRD161J-683Y	"RESISTOR, FIXED CARBON FILM"	68K 1/6W 5 TA26
	R5A3	QRD161J-222Y	"RESISTOR, FIXED CARBON FILM"	2.2K 1/6W 5 TA26
	R5A4	QRD161J-272Y	"RESISTOR, FIXED CARBON FILM"	2.7K 1/6W 5 TA26
	R5A5	QRD161J-392Y	"RESISTOR, FIXED CARBON FILM"	3.9K 1/6W 5 TA26
	R5A6	QRD161J-682Y	"RESISTOR, FIXED CARBON FILM"	6.8K 1/6W 5 TA26
	R5A7	QRD161J-123Y	"RESISTOR, FIXED CARBON FILM"	12K 1/6W 5 TA26
	R5A8	QRD161J-273Y	"RESISTOR, FIXED CARBON FILM"	27K 1/6W 5 TA26
	R5B1	QRD161J-102Y	"RESISTOR, FIXED CARBON FILM"	1.0K 1/6W 5 TA26
	R5B3	QRD161J-102Y	"RESISTOR, FIXED CARBON FILM"	1.0K 1/6W 5 TA26
	R5B4	QRD161J-102Y	"RESISTOR, FIXED CARBON FILM"	1.0K 1/6W 5 TA26
	R5B5	QRD161J-101Y	"RESISTOR, FIXED CARBON FILM"	100 1/6W 5 TA26
	R5C5	QRD161J-102Y	"RESISTOR, FIXED CARBON FILM"	1.0K 1/6W 5 TA26
	R5C6	QRD161J-102Y	"RESISTOR, FIXED CARBON FILM"	1.0K 1/6W 5 TA26
	R5C7	QRD161J-102Y	"RESISTOR, FIXED CARBON FILM"	1.0K 1/6W 5 TA26
	R5C9	QRD161J-103Y	"RESISTOR, FIXED CARBON FILM"	10K 1/6W 5 TA26
	R5E7	QRD161J-103Y	"RESISTOR, FIXED CARBON FILM"	10K 1/6W 5 TA26
	R5E8	QRD161J-103Y	"RESISTOR, FIXED CARBON FILM"	10K 1/6W 5 TA26
	R5K1	QRD161J-182Y	"RESISTOR, FIXED CARBON FILM"	1.8K 1/6W 5 TA26
	R5K2	QRD161J-152Y	"RESISTOR, FIXED CARBON FILM"	1.5K 1/6W 5 TA26
	R5K3	QRD161J-222Y	"RESISTOR, FIXED CARBON FILM"	2.2K 1/6W 5 TA26
	R5K4	QRD161J-272Y	"RESISTOR, FIXED CARBON FILM"	2.7K 1/6W 5 TA26
	R5K5	QRD161J-392Y	"RESISTOR, FIXED CARBON FILM"	3.9K 1/6W 5 TA26
	R5P1	QRD161J-331Y	"RESISTOR, FIXED CARBON FILM"	330 1/6W 5 TA26
	R5P2	QRD161J-331Y	"RESISTOR, FIXED CARBON FILM"	330 1/6W 5 TA26
	R5P3	QRD161J-331Y	"RESISTOR, FIXED CARBON FILM"	330 1/6W 5 TA26
	R5P4	QRD161J-331Y	"RESISTOR, FIXED CARBON FILM"	330 1/6W 5 TA26
	R5P5	QRD161J-331Y	"RESISTOR, FIXED CARBON FILM"	330 1/6W 5 TA26
	R5P6	QRD161J-331Y	"RESISTOR, FIXED CARBON FILM"	330 1/6W 5 TA26
	R5R1	QRD161J-331Y	"RESISTOR, FIXED CARBON FILM"	330 1/6W 5 TA26
	R5S1	QRD161J-562Y	"RESISTOR, FIXED CARBON FILM"	5.6K 1/6W 5 TA26
	R5S2	QRD161J-562Y	"RESISTOR, FIXED CARBON FILM"	5.6K 1/6W 5 TA26
	R5S3	QRD161J-472Y	"RESISTOR, FIXED CARBON FILM"	4.7K 1/6W 5 TA26
	R5S4	QRD161J-332Y	"RESISTOR, FIXED CARBON FILM"	3.3K 1/6W 5 TA26
	R5T1	QRD161J-182Y	"RESISTOR, FIXED CARBON FILM"	1.8K 1/6W 5 TA26
	R5T2	QRD161J-152Y	"RESISTOR, FIXED CARBON FILM"	1.5K 1/6W 5 TA26
	R5X1	QRD161J-472Y	"RESISTOR, FIXED CARBON FILM"	4.7K 1/6W 5 TA26
	R5X2	QRD161J-472Y	"RESISTOR, FIXED CARBON FILM"	4.7K 1/6W 5 TA26
	R5X3	QRD161J-102Y	"RESISTOR, FIXED CARBON FILM"	1.0K 1/6W 5 TA26
	R5X4	QRD161J-102Y	"RESISTOR, FIXED CARBON FILM"	1.0K 1/6W 5 TA26
	R801	QRD161J-682Y	"RESISTOR, FIXED CARBON FILM"	6.8K 1/6W 5 TA26
	R802	QRD161J-563Y	"RESISTOR, FIXED CARBON FILM"	56K 1/6W 5 TA26
	R805	QRD161J-102Y	"RESISTOR, FIXED CARBON FILM"	1.0K 1/6W 5 TA26
	R806	QRD161J-471Y	"RESISTOR, FIXED CARBON FILM"	470 1/6W 5 TA26
	R807	QRD161J-272Y	"RESISTOR, FIXED CARBON FILM"	2.7K 1/6W 5 TA26
	R808	QRD161J-101Y	"RESISTOR, FIXED CARBON FILM"	100 1/6W 5 TA26
	R809	QRD161J-101Y	"RESISTOR, FIXED CARBON FILM"	100 1/6W 5 TA26
	R812	QRD161J-682Y	"RESISTOR, FIXED CARBON FILM"	6.8K 1/6W 5 TA26

S	REF No.	PART No.	DESCRIPTION	SPECIFICATION
	R813	QRD161J-563Y	"RESISTOR, FIXED CARBON FILM"	56K 1/6W 5 TA26
	R814	QRD161J-332Y	"RESISTOR, FIXED CARBON FILM"	3.3K 1/6W 5 TA26
	R815	QRD161J-123Y	"RESISTOR, FIXED CARBON FILM"	12K 1/6W 5 TA26
	R816	QRD161J-822Y	"RESISTOR, FIXED CARBON FILM"	8.2K 1/6W 5 TA26
	R819	QRD161J-822Y	"RESISTOR, FIXED CARBON FILM"	8.2K 1/6W 5 TA26
	R830	QRD161J-334Y	"RESISTOR, FIXED CARBON FILM"	330K 1/6W 5 TA26
	RC501	PZ6712R1938GA	REMOTE CONTROLLER RECEIVER	TSOP2838WE1 TEMIC 19MM 37.9KHZ
	RS501	PZ6500RAB002A	SENSOR	GP1S566 SHARP D-33 REEL SENSOR
	RS502	PZ6500RAB002A	SENSOR	GP1S566 SHARP D-33 REEL SENSOR
CRYSTAL				
	X301	PZ6202R1443AE	"CRYSTAL, NORMAL"	TAEIL HC49U 4.433709MHZ 15PPM
	X302	PZ6202R1357AE	"CRYSTAL, NORMAL"	TAEIL HC49U 3.579575MHZ 15PPM
	X501	PZ6202R31001F	CRYSTAL	HC-49S KEUMSEOK RADIAL 10.0000
	X503	PZ6202R31771F	CRYSTAL	HC-49S KEUMSEOK RADIAL 17.7344
ZENER DIODE				
	ZD151	PZ0DZ102609AB	"DIODE, ZENER"	GDZJ10B 26MM TP GRANDE DO34 0
	ZD152	PZ0DZ562609BA	"DIODE, ZENER"	GDZJ5.6C 26MM TP GRANDE DO34
	ZD3K1	PZ0DZ682609AB	"DIODE, ZENER"	GDZJ6.8C 26MM TP GRANDE DO34
	ZD3K2	PZ0DZ682609AB	"DIODE, ZENER"	GDZJ6.8C 26MM TP GRANDE DO34
	ZD3K3	PZ0DZ682609AB	"DIODE, ZENER"	GDZJ6.8C 26MM TP GRANDE DO34
	ZD3K4	PZ0DZ682609AB	"DIODE, ZENER"	GDZJ6.8C 26MM TP GRANDE DO34
	ZD3K5	PZ0DZ682609AB	"DIODE, ZENER"	GDZJ6.8C 26MM TP GRANDE DO34
	ZD3K6	PZ0DZ682609AB	"DIODE, ZENER"	GDZJ6.8C 26MM TP GRANDE DO34
	ZD3M1	MTZ13B	"DIODE, ZENER"	MTZ13B TP ROHM-K
	ZD401	PZ0DZ562609BA	"DIODE, ZENER"	GDZJ5.6C 26MM TP GRANDE DO34
	ZD402	MTZ13B	"DIODE, ZENER"	MTZ13B TP ROHM-K
	ZD403	MTZ13B	"DIODE, ZENER"	MTZ13B TP ROHM-K
	ZD501	PZ0DZ682609AB	"DIODE, ZENER"	GDZJ6.8C 26MM TP GRANDE DO34
	ZD503	PZ0DZ682609AB	"DIODE, ZENER"	GDZJ6.8C 26MM TP GRANDE DO34